

Bike Garage

Assembly instructions



Contents

Safety notices 3
General information 4
Intended use 5
Scope of delivery 6
Assembly 7
General notes on care 10
Statutory warranty / guarantee 11
Service 11

The present assembly instruction is the translation of the original assembly instructions.

Safety notices

This user manual contains various types of notice.
The notices are designed as follows:



Danger

Potential hazards for your health and the health of your co-riders and other road users if you fail to observe the respective instructions or do not take corresponding precautions.



Notice

Provides information about how to handle the product or refers to a passage in the user manual that deserves special attention.



Caution

Warns you about incorrect behaviour that can result in material and environmental damage.



Separate instructions

Refers you to other assembly instructions for your FS200 which describe the respective assembly step in more detail if needed.

General information

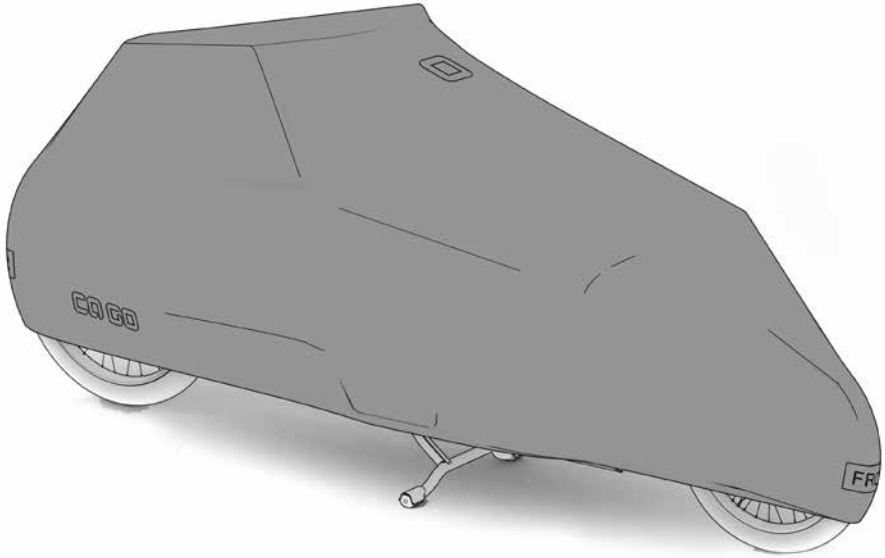


Fig. 1

The Bike Garage is a cover for the FS200 to protect it from weather and dirt. It can be used indoors and outdoors. It can be used with the FS200 with an open box, with a lid, with the Ortho-Safety-Collar, and with the All-Weather-Top. The Bike Garage can be conveniently packed into an integrated bag for transport or storage.

Intended use



After driving, especially with longer braking passages, the components of the brake can be very hot. The material can melt or ignite on contact. The Bike Garage can only be put on when the brakes have cooled down.



Do not leave children unattended with the Bike Garage!
DANGER OF SUFFOCATION!
Children could accidentally become entangled and tangled.
This is not a children's toy!



Scope of delivery



Fig. 2

The Bike Garage is a one-piece unit and is delivered in its own integrated bag. (Fig. 2).



No additional tools are required for assembly.

Assembly

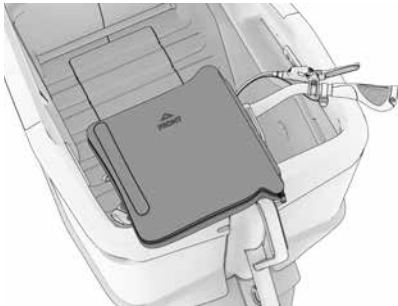


Fig. 3

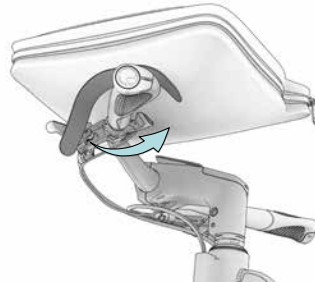


Fig. 4

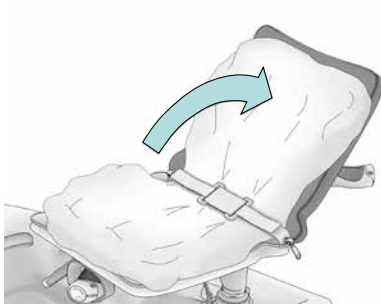


Fig. 5

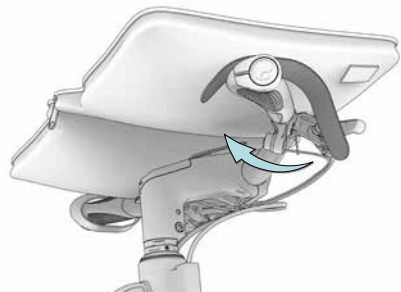


Fig. 6

Place the packed Bike Garage on the handlebars with the arrow pointing towards the front wheel, pull open the side zip and fix the two Velcro fasteners to the handlebars.

The included tarpaulin can now be unfolded. The outside is labelled, the front is marked „Front“ and the back „Rear“. (Fig. 3–6).

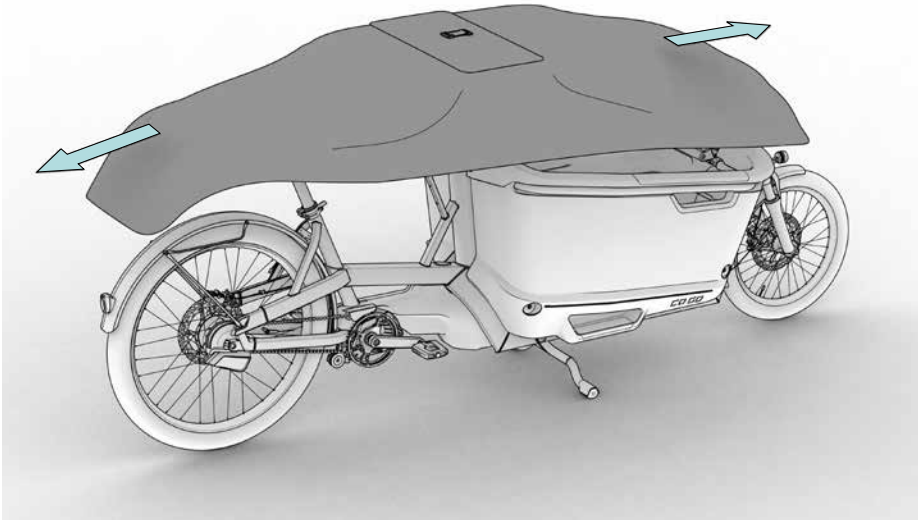


Fig. 7

Pull the front part marked „Front“ over the front wheel (Fig. 7). At the bottom edge there is a Velcro fastener to secure the Bike Garage through the spokes (Fig. 8 and Fig. 9).

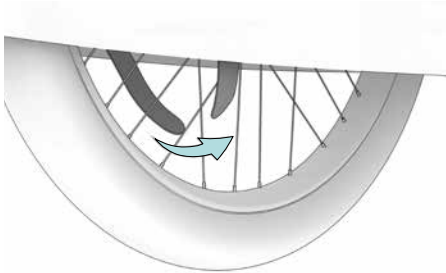


Fig. 8

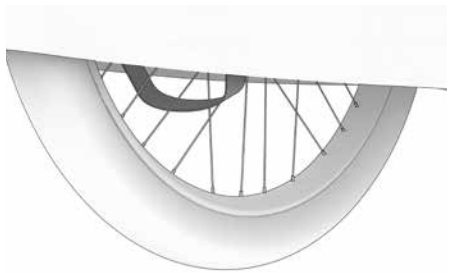


Fig. 9

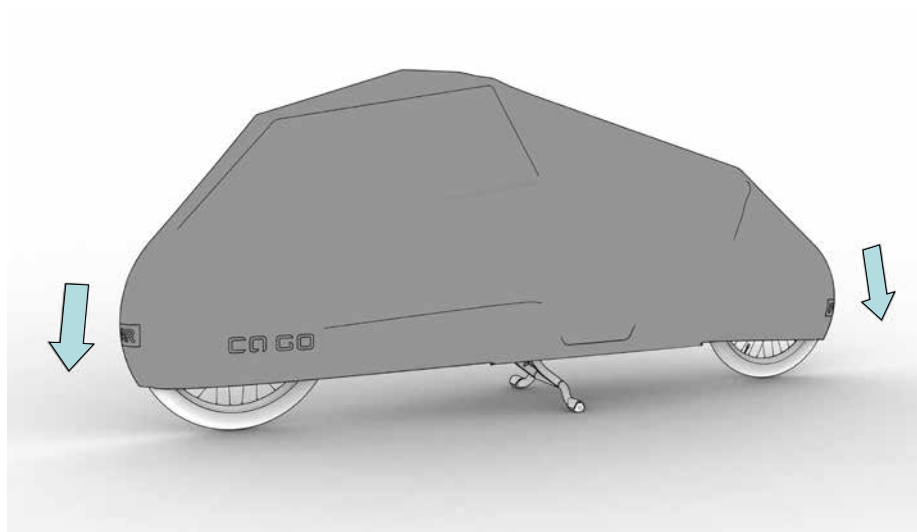


Fig. 10

Accordingly, the rear part marked „Rear“ is pulled over the rear wheel (Fig. 10) and secured there with the Velcro fastener (Fig. 8 und Fig. 9).

To use the FS200, remove the Bike Garage from the bike in reverse order. To repack it in the integrated bag, gradually fold the sheet to the size of the bag, fold the bag up and zip it closed.

General notes on care

The Bike Garage should only be cleaned with water and mild cleaning agents such as soap.

Commercially available waterproofing spray (e.g. for tents) can be used.



Do not use aggressive cleaning agents, acids or solvents for cleaning. This can damage the surfaces. Cleaning in the washing machine, drying in the dryer, and dry cleaning are not permitted. Mould formation can be avoided by only removing the Bike Garage once it is dry again. Make sure that the Bike Garage is only packed in the integrated bag when dry. Ventilate the Bike Garage regularly.

Statutory warranty / guarantee

The legal statutory warranty applies.

You can find more details on the guarantee on our website:

www.cagobike.com

Export to the USA and Canada is not permitted (product liability)!

Service

If you have questions concerning this user manual, please contact your Ca Go dealer or your Ca Go service team.



Published by:

Ca Go Bike GmbH

Am Autobahnkreuz 7

56072 Koblenz

Germany

+49 261 914090-600

info@cagobike.com

www.cagobike.com

Managing directors: Franc Arnold

Company register

Court of record: District Court Koblenz / register no.: HRB 26998 / VAT Id no. DE326206636

Responsible for distribution and marketing of the user manual: Ingo Kahnt

Ca Go Bike GmbH reserves the right to change product specifications without prior notice.

Typographical errors, mistakes and modifications reserved. Version: 01/2023

©Reproduction, reprint and translation, as well as any use for economic purposes (including as extracts, in print or electronic form) without prior written approval is forbidden.