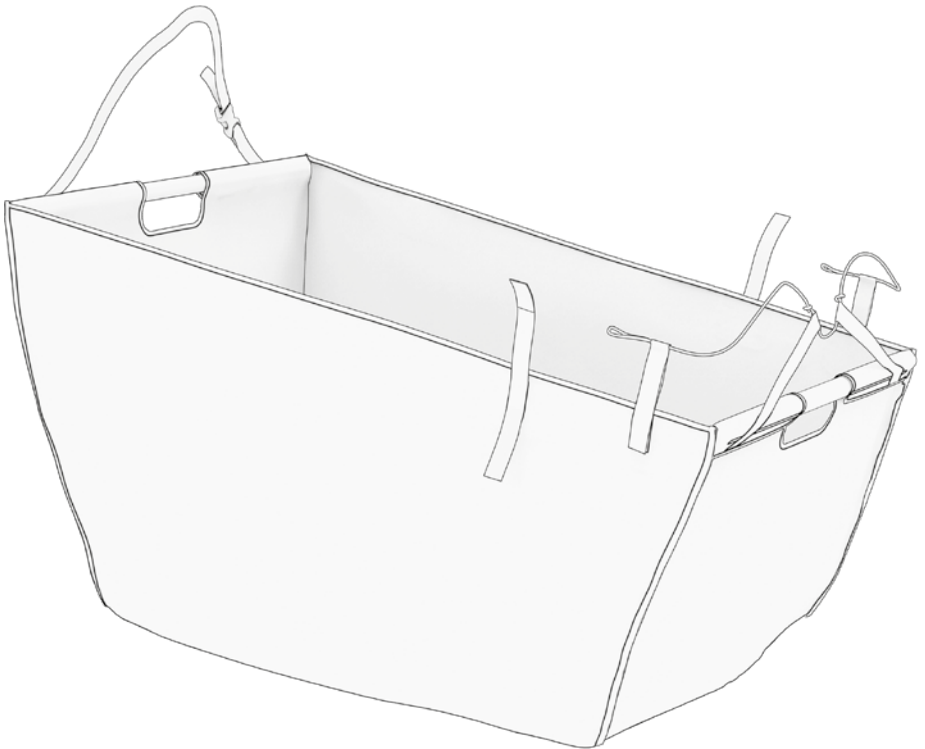


Cover & Carry Bag Assembly Instructions



Contents

Safety notices 3
General information 4
Scope of delivery 5
Intended use 6
Assembly 7
Disassembly 10
General notes on care 11
Statutory warranty / guarantee 11
Service 11

The present assembly instructions is the translation of the original assembly instructions.

For ease of reading, the masculine form is used for personal names and personal nouns in this manual. The same terms apply to both sexes for the purpose of equal treatment. The abbreviated form is used for editorial purposes only and does not imply any judgement.

Safety notices

Take special note of the following symbols



Warning

This symbol indicates a hazardous situation which, if not avoided or precautions not taken, may result in death or serious injury.



Notice

This symbol warns you of misconduct that is not related to physical injury but results in damage to property and the environment.



Caution

This symbol indicates a hazardous situation which, if not avoided or precautions not taken, may result in minor or moderate injury.



Safety instruction

This symbol indicates specific safety instructions and information on the handling of the product or the part of the manual to which particular attention should be paid.

The possible consequences described are not repeated in this original assembly instruction when these symbols appear.

General information

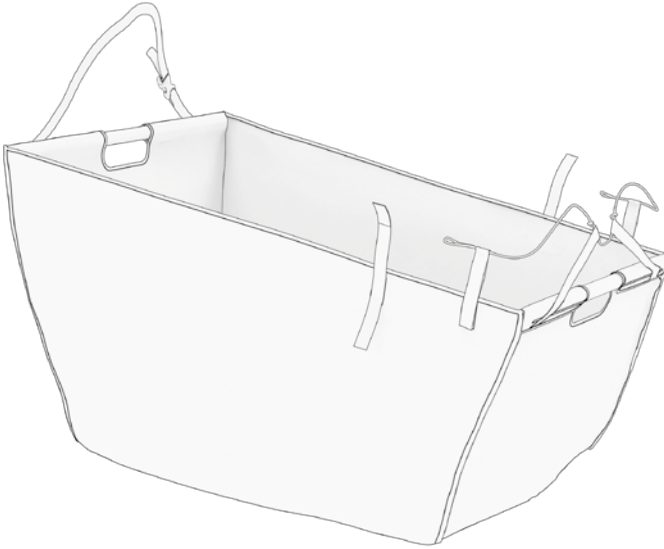


Fig. 1

The Cover & Carry Bag is a bag designed to fit inside the EPP Cargo Box. The bag can be attached in a few easy steps. This prevents the inside of the box from getting dirty with items such as garden cuttings. The Cover & Carry Bag can be removed from the box with the same ease and the goods can be removed with the bag.



Notice

The Cover & Carry Bag is not designed for use in the FS Vario.

Scope of delivery

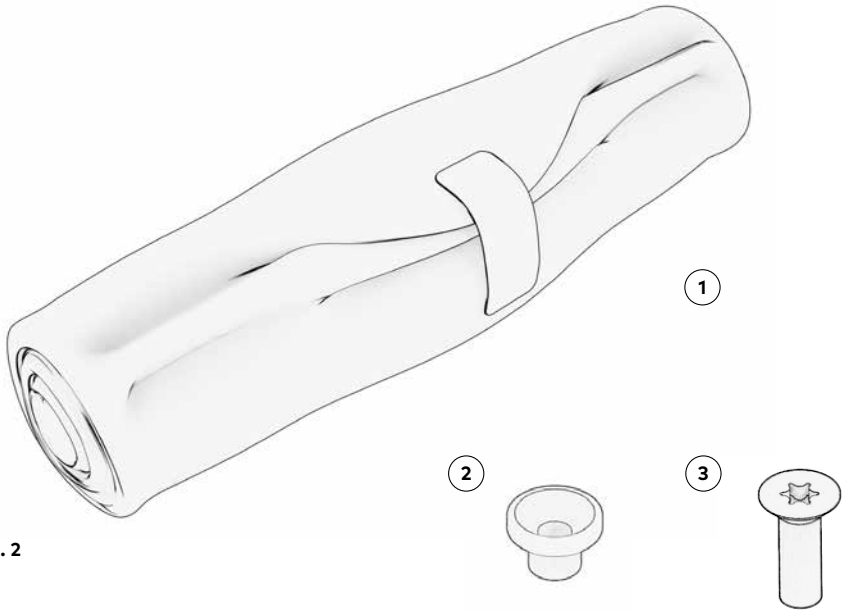


Fig. 2

- ① **Cover & Carry Bag**, 1 piece
Fastening straps and elastic bands firmly sewn on
- ② **Round button**, 2 pieces
- ③ **M5x18 countersunk head screw**, 2 pieces

Intended use



Warning

Do not leave children unattended with the Cover & Carry Bag!!

DANGER OF SUFFOCATION!!

Children can accidentally get wrapped up and tangled. This is not a child's toy.



Warning

Before riding, check that the bag is correctly fastened and that no straps can get caught in the wheels or drive belt. The steering must be free to move.

Assembly

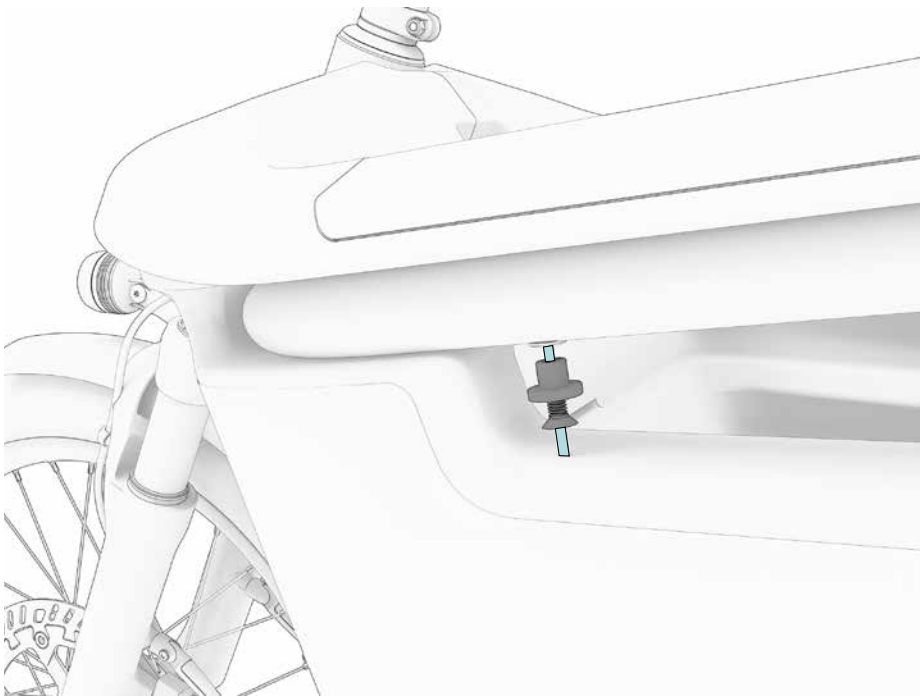


Fig.3

Screw the round knobs on the L and R rails:
Place the round knobs on two of the M5x18 countersunk screws.
These are then screwed into the underside of each rail (side opening of the EPP Cargobox), tightening to 4–5 Nm. (Fig. 3).

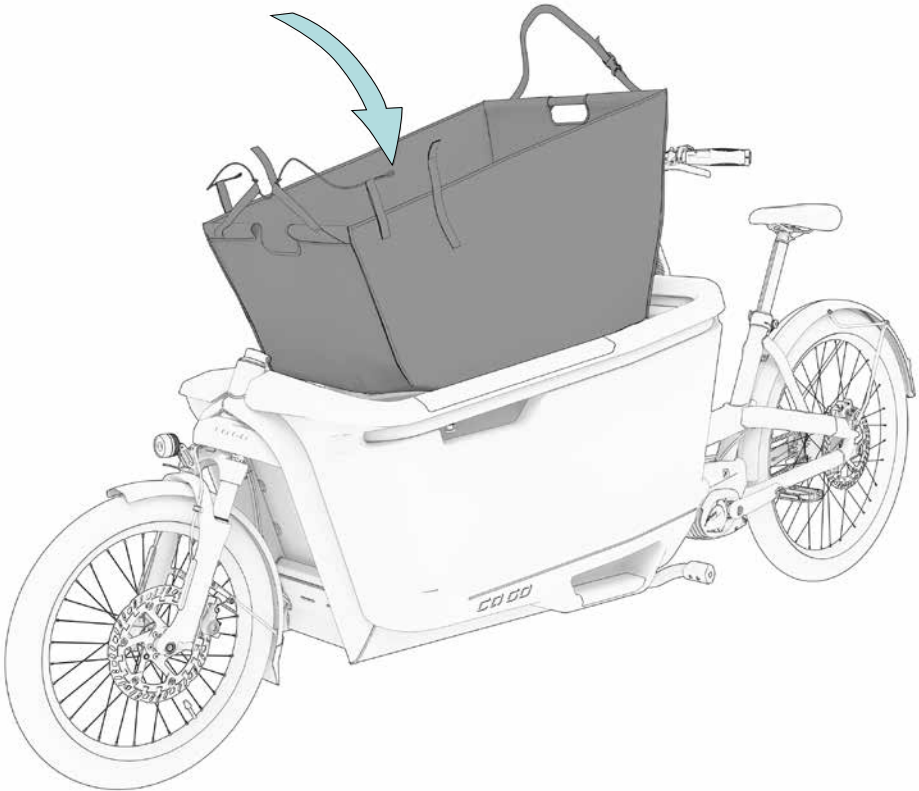


Fig. 4

Now the bag can be lifted into the box from above (Fig. 4).

The fastening consists of the front elastics, which are led around the EPP material past the control head and hooked into the round buttons in the side opening.

The left and right Velcro straps are attached through the side opening. At the rear, a strap with a buckle is attached and passed around the steering column (Fig. 5, 6, and 7).

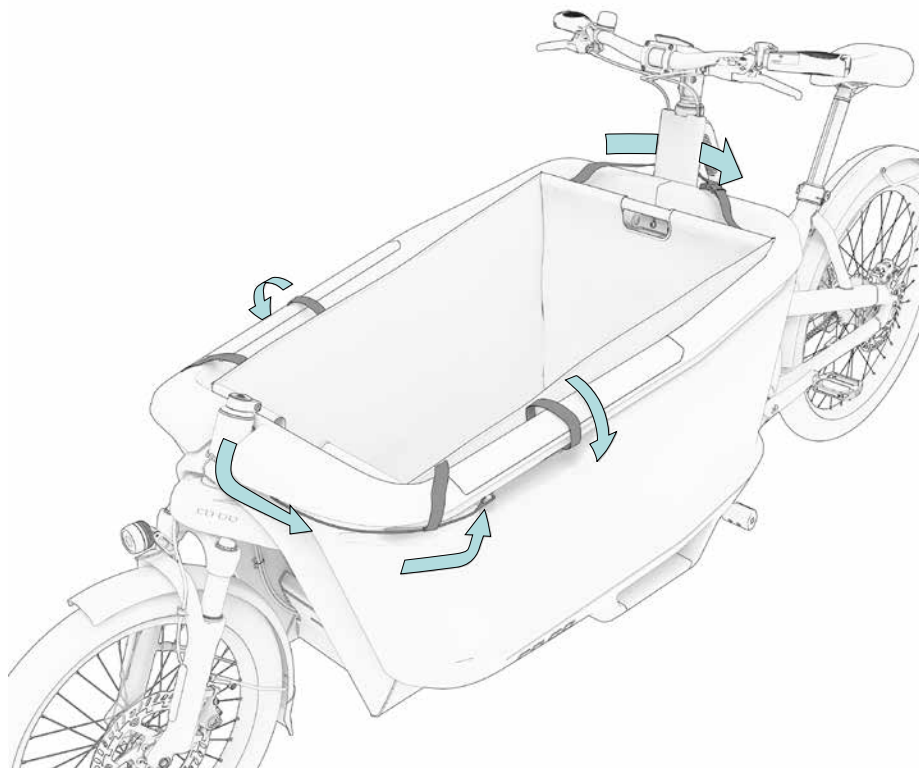


Fig. 5

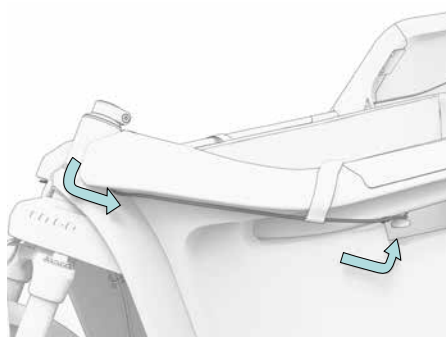


Fig. 6

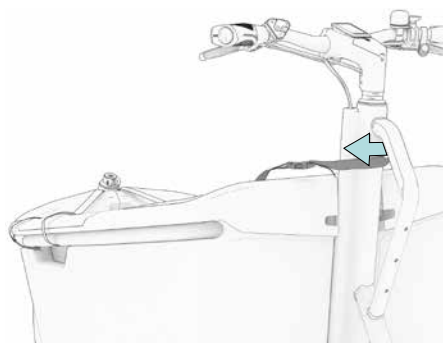


Fig. 7

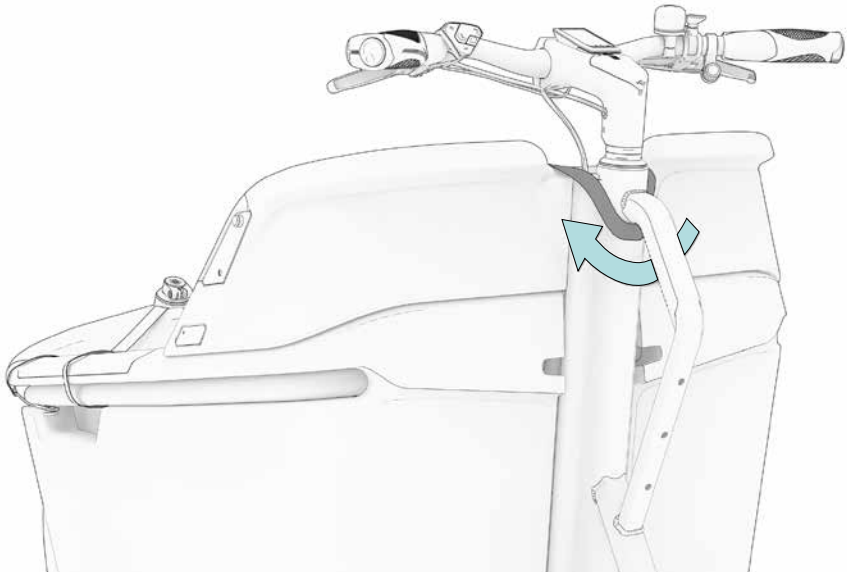


Fig. 8



Notice

The Cover & Carry Bag can be used together with the Ortho-Safety-Collar. Particular attention should be paid to the routing of the rear webbing. (Fig. 8).



Warning

The handlebar cables must not be trapped, nor must the steering movement be impeded..

Disassembly

To remove, undo all the fasteners. The bag can now be lifted out of the box by the two handles.

General notes on care



Notice

For example, water combined with a little washing-up liquid or a mild soap can be used for cleaning.

Statutory warranty / guarantee

The legal statutory warranty applies.

You can find more details on the guarantee on our website:

www.cagobike.com

Export to the USA and Canada is not permitted (product liability)!

Service

If you have questions concerning this assembly instructions, please contact your Ca Go dealer or your Ca Go service team.



Published by:

Ca Go Bike GmbH

Am Autobahnkreuz 7

56072 Koblenz

Germany

+49 261 914090-600

info@cagobike.com

www.cagobike.com

Managing directors: Franc Arnold

Company register

Court of record: District Court Koblenz / register no.: HRB 26998 / VAT Id no. DE326206636

Ca Go Bike GmbH reserves the right to change product specifications without prior notice.

Typographical errors, mistakes and modifications reserved. Version: 09/2023

©Reproduction, reprint and translation, as well as any use for economic purposes (including as extracts, in print or electronic form) without prior written approval is forbidden.