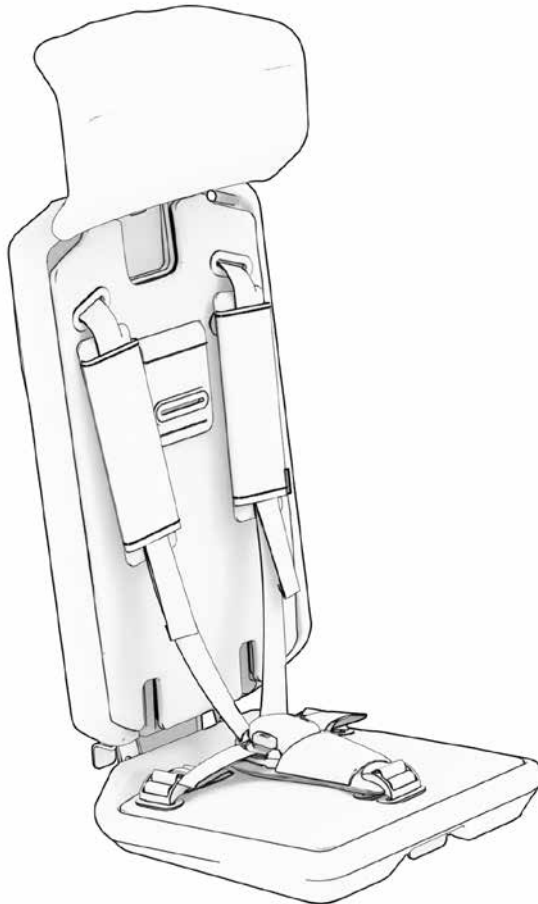


Ergonomic-Child-Seat Assembly instructions



Contents

Safety notices 3
General information 4
Intended use 5
Scope of delivery 6
Technical data 6
Installation 7
Adjusting the Ergonomic-Child-Seat to the body height of the child 11
Strapping in and adjusting the strap lengths 12
General notes on care 14

Safety notices

This user manual contains various types of notice.
The notices are designed as follows:



Danger

Potential hazards for your health and the health of your co-riders and other road users if you fail to observe the respective instructions or do not take corresponding precautions.



Notice

Provides information about how to handle the product or refers to a passage in the user manual that deserves special attention.



Caution

Warns you about incorrect behaviour that can result in material and environmental damage.



Separate instructions

Refers you to other assembly instructions for your FS200 Life which describe the respective assembly step in more detail if needed.

General information

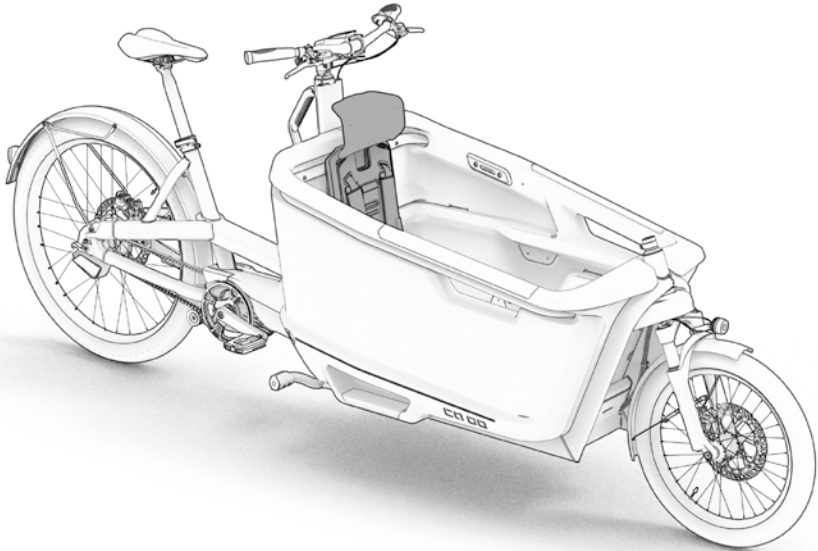


Fig. 1

The FS200 Life can be equipped with one or two original Ca Go Ergonomic-Child-Seats. They allow to transport children in the EPP transport box, secured with a five-point harness. The Ergonomic-Child-Seats can be configured to suit the height of the child by adjusting the head restraint, the height of the shoulder straps and the length of the harness straps. The Ergonomic-Child-Seat offers progressive suspension provided by parabolic suspension elements.



The optional Ortho-Safety-Collar can be mounted on the transport box for a higher degree of protection for the shoulder and neck area of young passengers.

It also serves as the necessary basis for the All-Weather-Top.

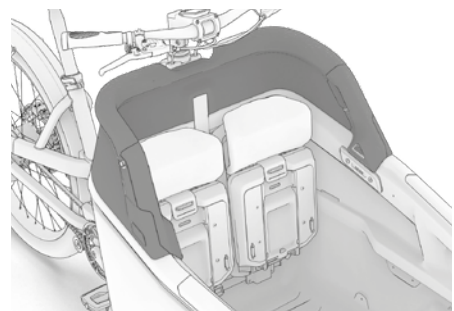
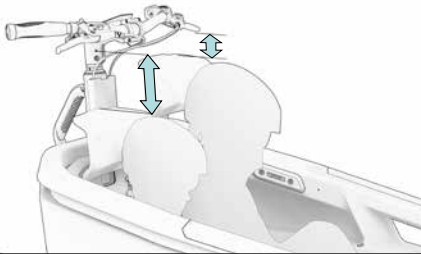


Fig. 2

Intended use



All children **MUST** be placed in suitable seats (depending on height and weight) and strapped in safely! We strongly recommend using bicycle helmets. This Ergonomic-Child-Seat is designed for children aged 9 months to 7 years weighing up to 22 kg. The children must be able to sit independently and may not obstruct the free movement of the handlebar while wearing a helmet (at least 30 mm clearance).



The seats must be installed completely as described in these instructions to be able to transport children safely in them. This means: Every seat is hung in on the bottom crossbar and screwed in at the top seat bar with two screws.



It is possible to install one infant carrier installation set in the box together with the child seat, so that two children of different ages can be transported in the box.



The child seat cannot be used together with the transport box lid. The child seats must be removed before the box lid can be installed.

Scope of delivery

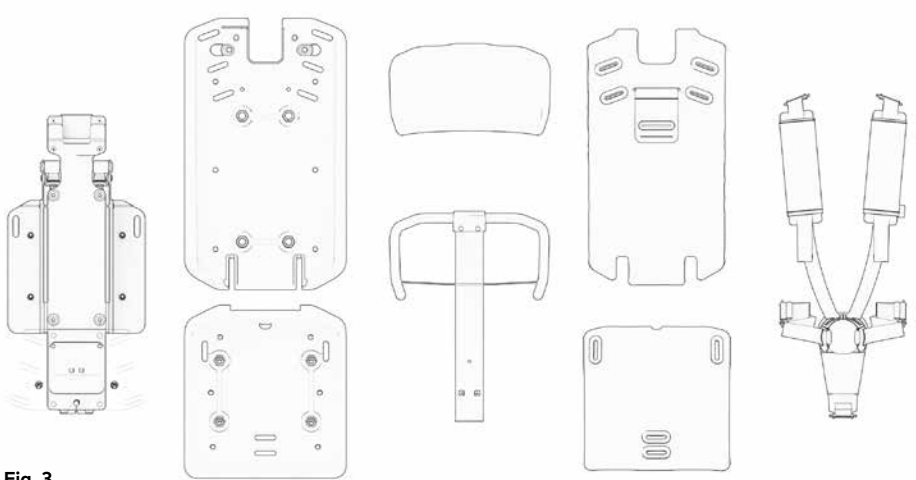


Fig. 3

1. 1 x Ergonomic-Child-Seat, pre-assembled and ready for use, with five-point harness and height-adjustable head restraint.
2. 1 x Rain cover for the Ergonomic-Child-Seat
3. 2 pcs. assembly screw set, consisting of
 - 2 x Socket head screw M6 x 25 mm, black
 - 2 x Washer M6, black
 - 2 x Plastic semi-circular washer M6
 - 2 x Rubber O-ring

Technical data

LxWxH folded: 190 x 250 x 495 mm

LxWxH unfolded: 345 x 250 x 495 mm

Weight: Approx. 2.54 kg

Base frame material: Aluminium

Seat material: EPP

Padding material: Foam/polyester

Small parts: Plastic/metal

Installation

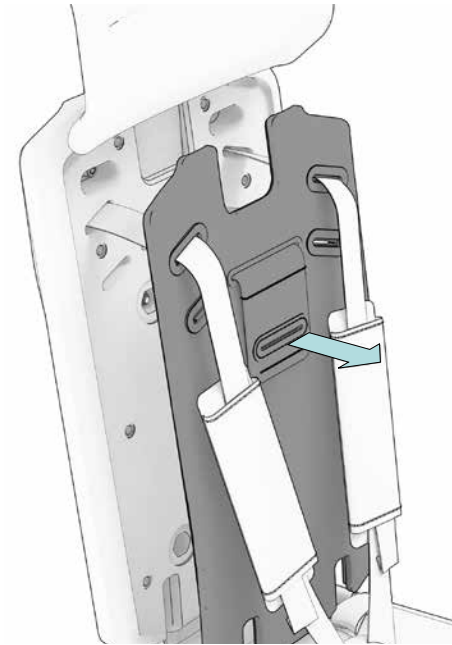


Fig. 4

The inside of the safety rail has four threads for the installation of one or two Ergonomic-Child-Seats. To install the Ergonomic-Child-Seats in the FS200 Life, first unclip the back pad (Fig. 4).

It is not necessary to fully remove the back pad, however the following illustrations do not show the back pad for a clearer view.



Some of the installations steps described here are also necessary when setting the correct height of the shoulder straps for your child's height. Therefore, we recommend setting the height **BEFORE** installing the Ergonomic-Child-Seat in the box.

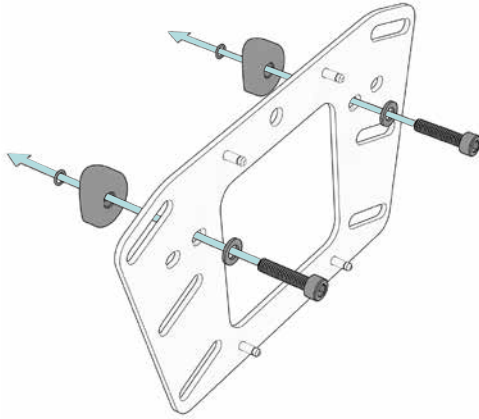


Fig. 5



Fig. 6

Prepare to screw in the seat as follows: From the seat's front side, push in one screw with washer; from the rear side, thread one saddle washer and the O-ring as retainer onto the screw (Figs. 5 and 6).



Fig. 7



Fig. 8

Please note: The fastening holes to be used depend on the position in which the seat is installed, i.e. in the centre (Fig. 7, outside holes), or on one of the sides (Fig. 8, inside holes).



Fig. 9

To install the seat, lift it into the box and place it on the bottom crossbar with the fork bracket (Fig. 8).

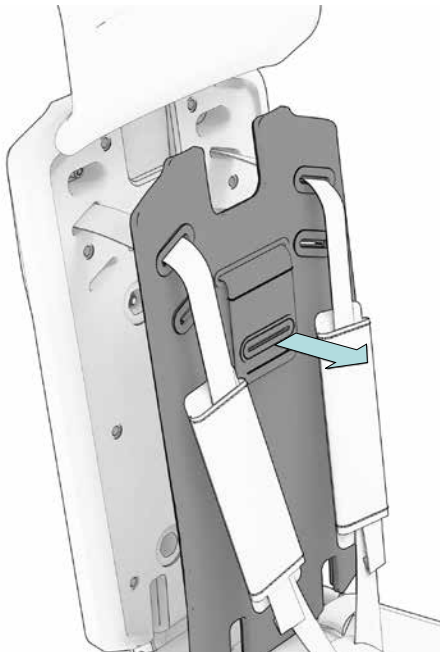


Fig. 10

It can now be folded into the rear wall of the box and aligned laterally for fastening in the desired position. Tighten the screws to 5–8 Nm torque with a 5 mm Allen key.

As the final step, clip the back pad back in (Fig. 10).



Please check before every ride that the Ergonomic-Child-Seat are installed securely in the box. Children may never be transported in child seats that are not properly secured! If you have any questions or uncertainties, please contact the Ca Go dealer.

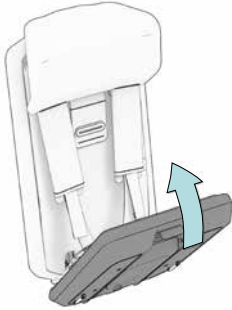


Fig. 11

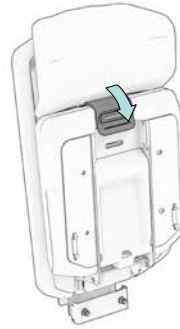


Fig. 12

The seat can be folded up when not in use (Fig. 11) to free up more space in the box. When folded up, it is fastened with the fabric tab (Fig. 12).

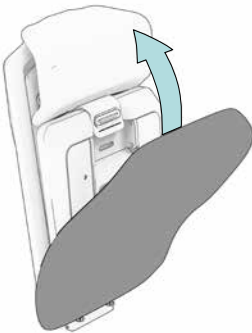


Fig. 13



Fig. 14

To protect against the weather and dirt, the rain cover (included in the scope of delivery) can be deployed when the seat is folded up (Figs. 13 and 14).

The rain cover can be stowed away in the head restraint when not in use.



The pads are not watertight and can absorb moisture in inclement weather. We therefore recommend you use the rain cover whenever parking the vehicle and when riding in rainy weather without the All-Weather-Top.

Adjusting the seat to the body height of the child

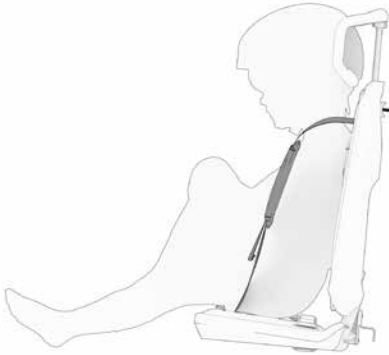


Fig. 15

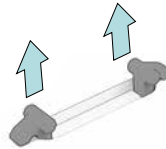


Fig. 16

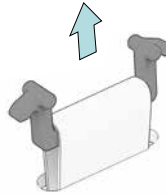


Fig. 17

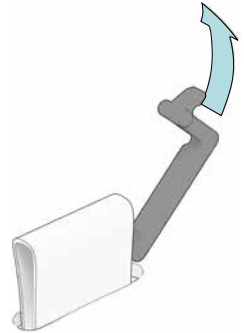


Fig. 18

The height of the shoulder straps can be set in three distinct positions. To do this, the Ergonomic-Child-Seat needs to be unscrewed from the FS200 Life by following the installation steps in reverse order (see above).

The rear side of the seat is equipped with plastic clips, which have to be undone (Figs. 16, 17, 18).

When this has been done, the strap can be pulled out toward the front. It is then looped back in the new position and secured with the plastic clips as before.

The height of the head restraint can (and should!) be adjusted to suit the height of the child's head. To do this, simply pull the head restraint out of the backrest or push it in until it reaches the desired height (Fig. 19). If the head restraint is adjusted correctly, the head with the helmet will come to lie against the centre of the head restraint.

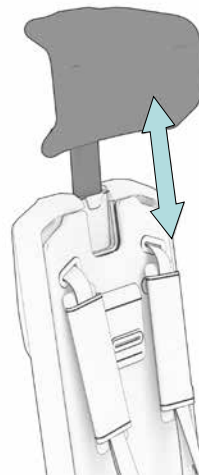


Fig. 19

Strapping in and adjusting the strap lengths

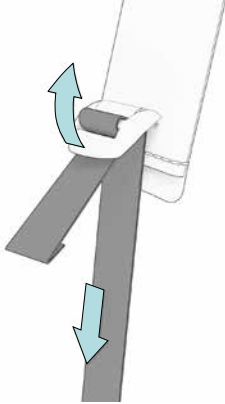


Fig. 20

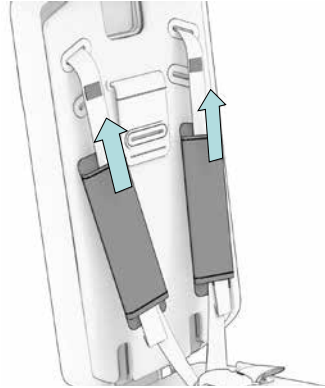


Fig. 21

Before the child sits down, we recommend increasing the length of the straps (Fig. 20) and pushing the shoulder pads upward (Fig. 21).

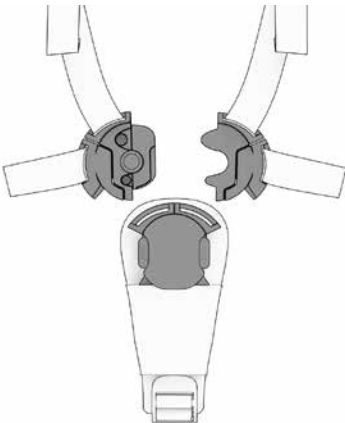


Fig. 22

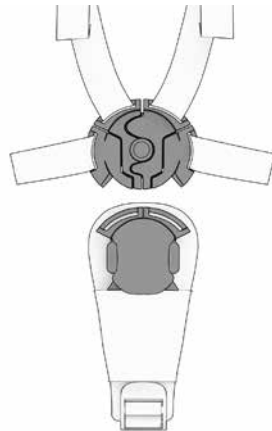


Fig. 23

Once the child is seated, close the straps by first connecting the shoulder straps with the lap straps (Fig. 22), then connecting the two sides with each other (Fig. 23).

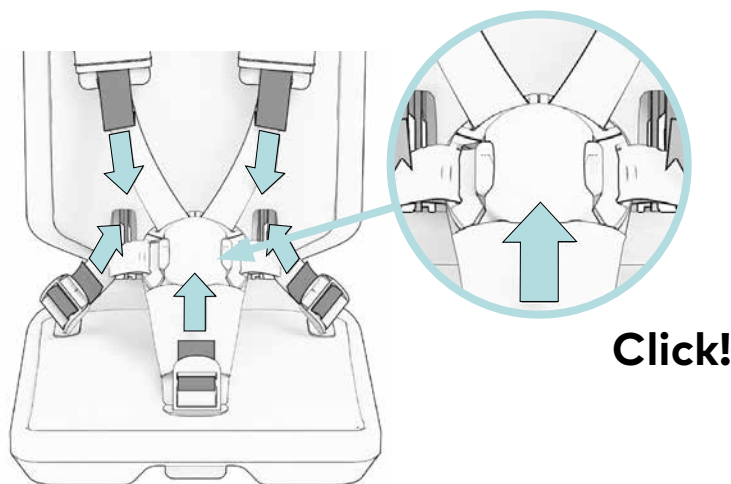


Fig. 24

In a third step, lock the strap with the buckle. The mechanism works magnetically and should close with an audible click. The strap lengths can now be shortened so that the child sits comfortably while being strapped in securely (Fig. 24).

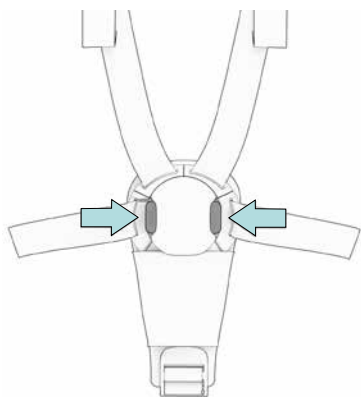


Fig. 25

The seat belt buckle can be opened again by pushing in both bolts simultaneously (Fig. 25).

General notes on care

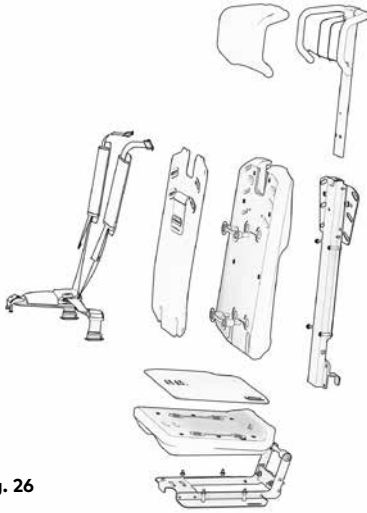


Fig. 26



Never use aggressive cleaning agents, acids or solvents to clean the set. Such substances can corrode or damage surfaces. This may affect the stability of the components.

When it comes to cleaning and caring for the Ergonomic-Child-Seat, the use of water is completely sufficient in most cases. If needed, you can use a mild detergent, such as dishwashing liquid or hand soap. If this is not sufficient, the Ergonomic-Child-Seat can be dismantled into its components (Fig. 26).

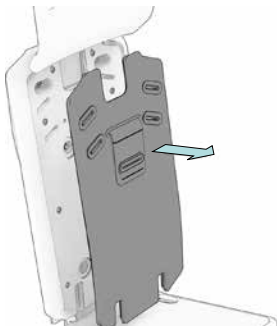


Fig. 27

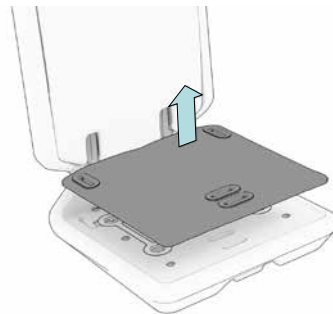


Fig. 28

To do this, remove the seat from the bike (see instructions for installation). Remove the back pad and the seat pad (Figs. 27 and 28).

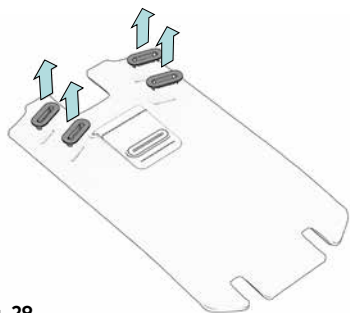


Fig. 29

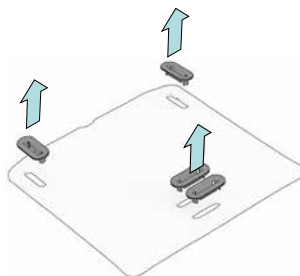


Fig. 30

Remove the plastic clips from the belt slots (Figs. 29 and 30).



The covers can be washed at 30 °C as they are while observing the care instructions on the label.



The appearance of the materials may change slightly over time. Please note that the vehicle should be protected from effects of the weather as best as possible.

Statutory warranty / guarantee

The legal statutory warranty applies. You can find more details on the warranty on our website: www.cagobike.com/en/warranty

Export to the USA and Canada is not permitted (product liability)!

Service

If you have questions concerning this user manual, please contact your Ca Go dealer or your Ca Go service team.



Published by:

Ca Go Bike GmbH

Am Autobahnkreuz 7

56072 Koblenz

Germany

+49 261 914090-600

info@cagobike.com

www.cagobike.com

Managing directors: Franc Arnold

Company register

Court of record: District Court Koblenz / register no.: HRB 26998 / VAT Id no. DE326206636

Responsible for distribution and marketing of the user manual: Ingo Kahnt

Ca Go Bike GmbH reserves the right to change product specifications without prior notice.

Typographical errors, mistakes and modifications reserved. Version of 03/2023

©Reproduction, reprint and translation, as well as any use for economic purposes (including as extracts, in print or electronic form) without prior written approval is forbidden.