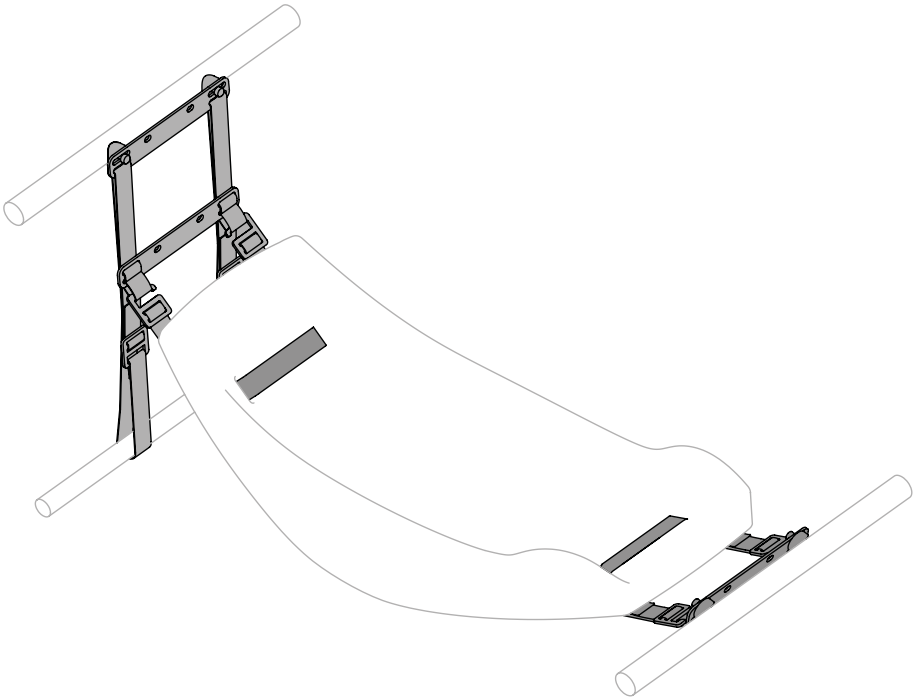


Infant-Sling-Mount Assembly instructions



Contents

Safety notices 3
General information 4
Intended use 5
Scope of delivery 6
Installation 8
General notes on care 13
Statutory warranty / guarantee 14
Service 14

The present assembly instructions is the translation of the original assembly instructions.

Safety notices

This user manual contains various types of notice.
The notices are designed as follows:



Danger

Potential hazards for your health and the health of your co-riders and other road users if you fail to observe the respective instructions or do not take corresponding precautions.



Notice

Provides information about how to handle the product or refers to a passage in the user manual that deserves special attention.



Caution

Warns you about incorrect behaviour that can result in material and environmental damage.



Separate instructions

Refers you to other assembly instructions for your FS200 Life which describe the respective assembly step in more detail if needed.

General information



Fig. 1

The Infant-Sling-Mount enables the safe installation of an Infant-Sling in the FS200 Life. It makes it possible to transport infants aged 0 to 9 months and weighing up to 9 kg in the FS200 Life.



If the Infant-Sling-Mount is placed on the right or left side, another child can be transported next to it, in the Ca Go child seat.

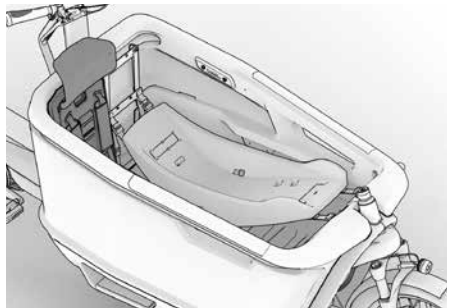


Fig. 2

Intended use



The Infant-Sling-Mount is designed to install and secure an Infant-Sling in the FS200 Life. The Infant-Sling-Mount can be installed centrally in the transport box or on the left or right side, according to preference. If only an infant is to be transported in the transport box, we recommend installing the Infant-Sling-Mount in the central position.



Every child and every infant must be transported in a child seat or Infant-Sling that is suitable for his or her specific height and weight. They must be strapped in at all times. The FS200 Life is designed for the transport of up to two children, or one child and one infant.



The Infant-Sling-Mount can be hung into the transport box either in the direction of travel or against it. We recommend installation against the direction of travel, since this will allow the structure to better absorb any inertia forces.



The Infant-Sling-Mount is designed for infants aged 0 to 9 months and weighing up to 9 kg. Beyond this specification, the operating instructions and specifications of the respective Infant-Sling-Mount must be observed. It is important to check and ensure that the Infant-Sling-Mount is suitable for the intended fastening system and can be tied down safely.



Transporting infants and children with the box closed is not permitted. When transporting infants and children, the transport box lid must not be installed.

Scope of delivery

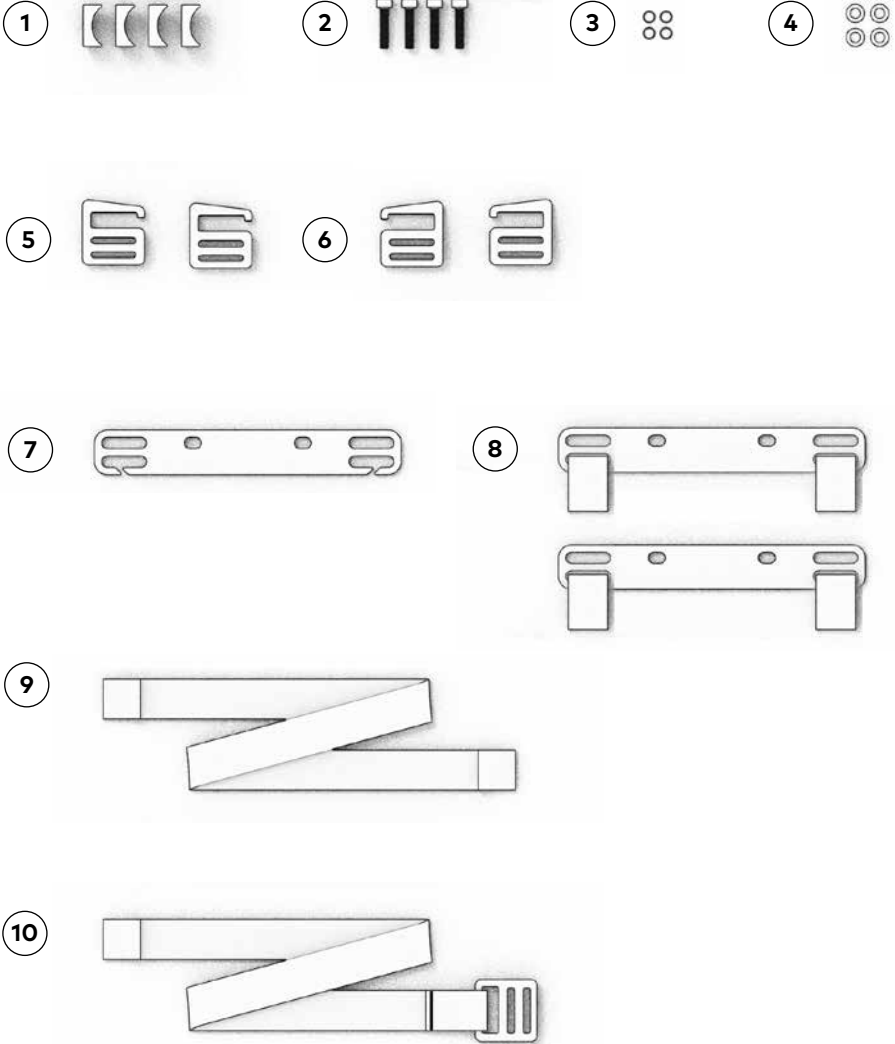


Fig. 3

- ① **Adapter discs**
4 pieces
- ② **Cylinder head screw, M6 x 25**
4 pieces
- ③ **O-rings**
4 pieces
- ④ **Washers**
4 pieces
- ⑤ **G-hook, left**
2 pieces
- ⑥ **G-hook, right**
2 pieces
- ⑦ **Connector plate without loops (type B)**
1 piece
- ⑧ **Connector plate with loops (type A)**
2 pieces
- ⑨ **Connecting strap**
2 pieces
- ⑩ **Lashing strap with three-bar buckle**
2 pieces



Item ⑦, one item ⑧ and both items ⑩ are supplied pre-installed.



Assembly requires the following additional tools: 5 mm Allen key

Installation



Fig. 4 Against the direction of travel (recommended)

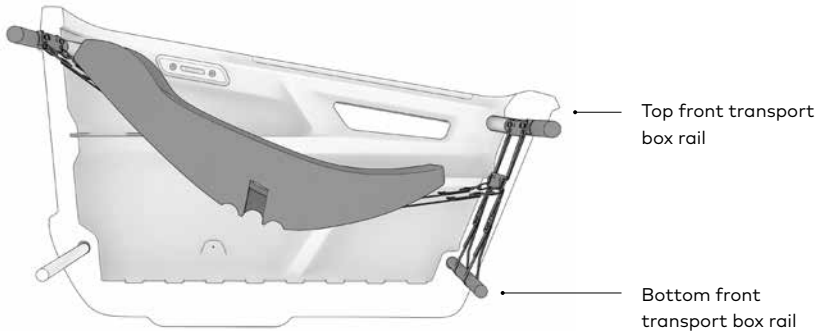


Fig. 5 In the direction of travel

To install the set, install one connector plate to the bolting points in the top transport box rails at the front and rear (Figs. 4 and 5).



- At the **head** of the Infant-Sling-Mount, use a connector plate with loops (type A) **(8)**.
- At the **foot** of the Infant-Sling-Mount, install the height-adjustable fastener from items **(7)**, **(8)** and **(10)**.

Installation on one side, against the direction of travel

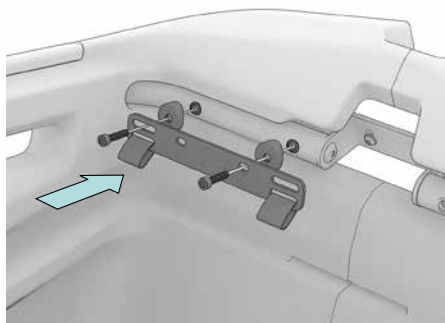


Fig. 6 Installation on one side, head area of the hung-in Infant-Sling-Mount.

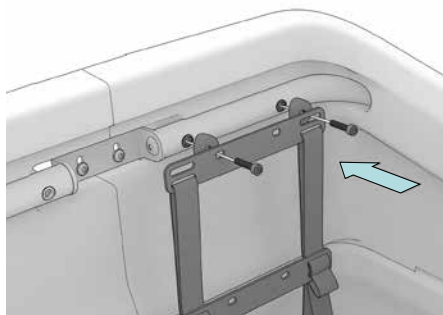


Fig. 7 Installation on one side, foot area of the hung-in Infant-Sling-Mount.

Installation in the centre, against the direction of travel

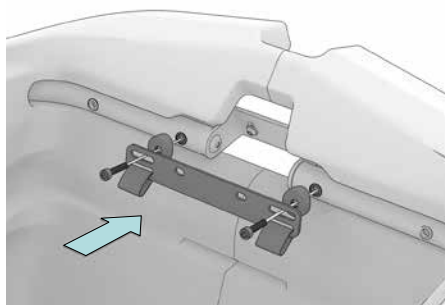


Fig. 8 Installation in the centre, head area of the hung-in Infant-Sling-Mount.

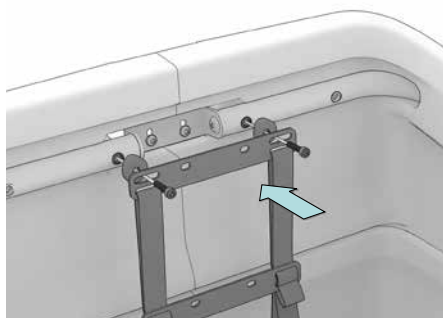


Fig. 9 Installation in the centre, foot area of the hung-in Infant-Sling-Mount.

Place a washer (4) under the head of each cylinder head screw (2) and push the screw through the connector plates. The hole positions to be used in the connector plates depend on the installation position in the box (Figs. 6, 7, 8 and 9).

Each screw shaft receives one adapter plate (1) behind the connector plate, with the concave side facing the rail. Secure the screw thus inserted with an O-ring (3). Now secure the connector plates at the front and rear to the top rails (5 mm Allen key, 5–8 Nm tightening torque) (Figs. 6, 7, 8 and 9).

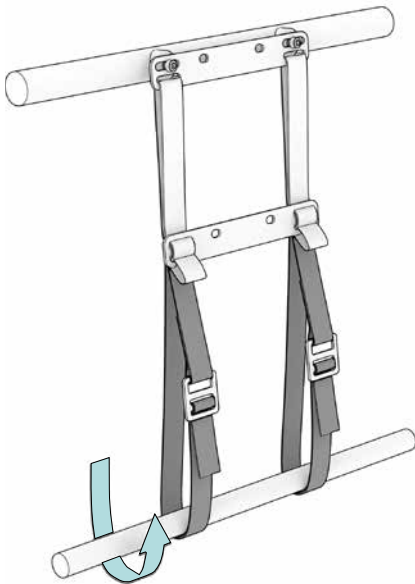


Fig. 10

The lashing straps (10) have already been looped in at the top connector plate (7) and the central connector plate (8). They are looped around the transport box bottom rail (Fig. 10).

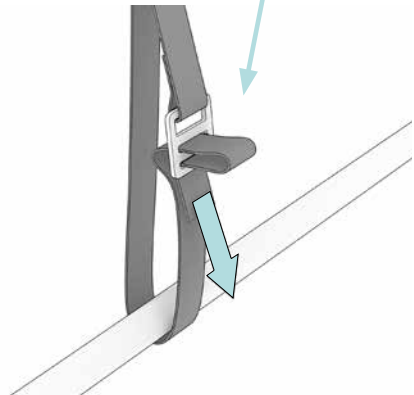
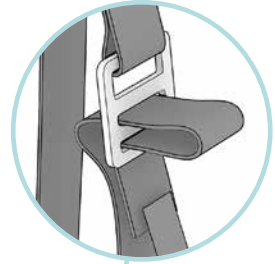


Fig. 11

Following this, guide the lashing straps through the three-bar buckle from behind and pull them tight (Fig. 11).



Make sure to pull the belt straps sufficiently tight.

Height adjustment and hanging in the Infant-Sling-Mount

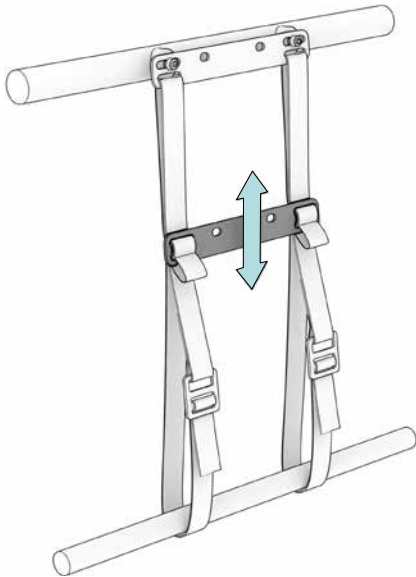


Fig. 12

The height of the connector plate (8) can be set to one of three levels according to preference. Loosen the belt straps, set the plate height and pull the belt straps tight again (Fig. 12).

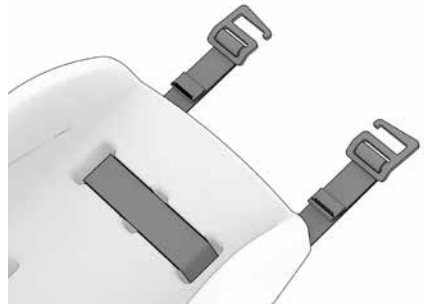


Fig. 13

Thread the connecting straps (9) into the Infant-Sling-Mount, then place one right G-hook and one left G-hook (5) and (6) at the ends (Fig. 13).

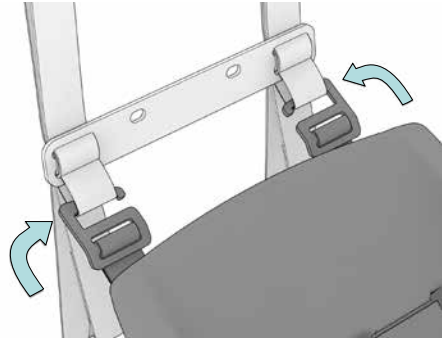


Fig. 14 Hanging in, rear

Fully hang the Infant-Sling-Mount with the G-hooks into the loops at the foot, so that the hook at the front end has a lateral hold in the loop (Fig. 14).

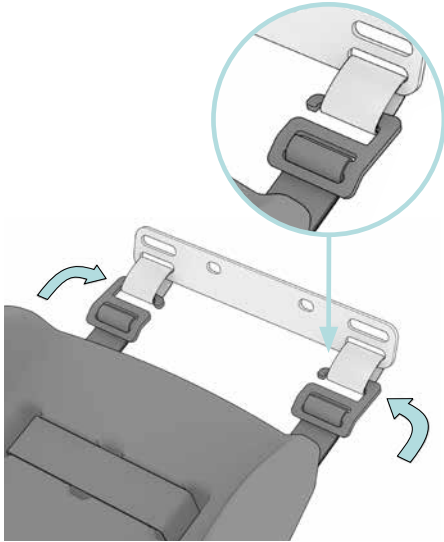


Fig. 15 Hanging in, front

In the same way, hook the G-hooks into the closed loops at the head (Fig. 15).

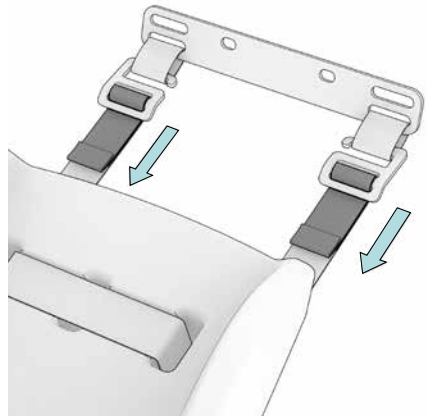


Fig. 16 Tightening the belt straps

As a final step, pull the belt straps tight (Fig. 16).



Before every ride, ensure that all G-hooks are hooked in properly and all belts pulled tight, since the Infant-Sling-Mount might unhook itself unexpectedly if the belts are too loose. Also, the Infant-Sling could slide around or move too freely within the transport box. This could lead to shock-type loads on the infant, resulting in a potential injury hazard.

General notes on care

The components of the Infant-Sling-Mount should be cleaned only with water and mild detergents, such as soap.



Never use aggressive cleaning agents, acids or solvents to clean the set. Such substances can corrode surfaces or damage the belts. This may affect the stability of the components.



The components of the Infant-Sling-Mount must be checked for damage at regular intervals. If belt straps have become frayed, they must be replaced. Retighten any loose screw connections to 5 to 8 Nm.

Statutory warranty / guarantee

The legal statutory warranty applies. You can find more details on the warranty on our website: www.cagobike.com/en/warranty

Export to the USA and Canada is not permitted (product liability)!

Service

If you have questions concerning this user manual, please contact your Ca Go dealer or your Ca Go service team.



Published by:

Ca Go Bike GmbH

Am Autobahnkreuz 7

56072 Koblenz

Germany

+49 261 914090-600

info@cagobike.com

www.cagobike.com

Managing directors: Franc Arnold

Company register

Court of record: District Court Koblenz / register no.: HRB 26998 / VAT Id no. DE326206636

Responsible for distribution and marketing of the user manual: Ingo Kahnt

Ca Go Bike GmbH reserves the right to change product specifications without prior notice.

Typographical errors, mistakes and modifications reserved. Version of 03/2023

©Reproduction, reprint and translation, as well as any use for economic purposes (including as extracts, in print or electronic form) without prior written approval is forbidden.