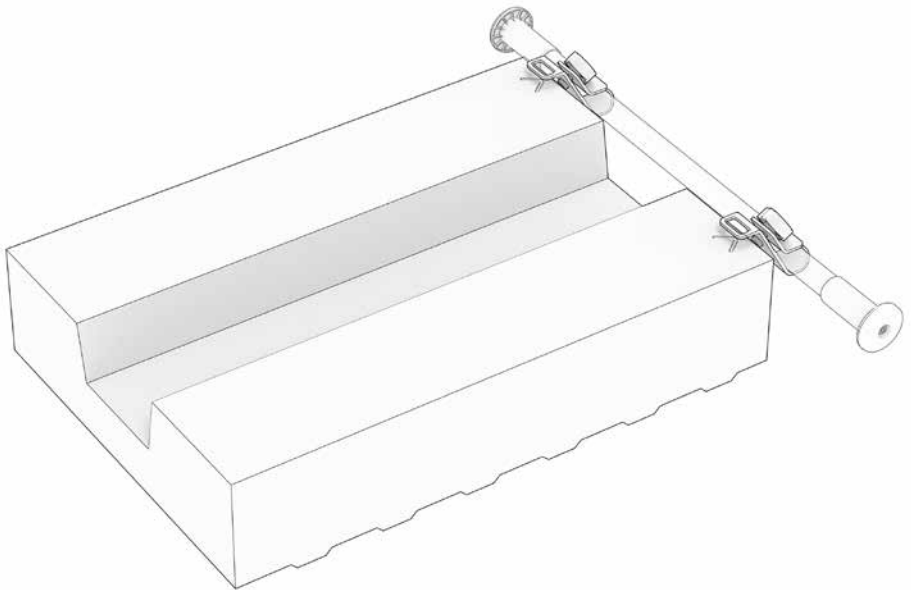


# Mounting Set for ISOFIX Compliant Child Seats Assembly instructions



# Contents

Safety notices ..... 3  
General information ..... 4  
Intended use ..... 5  
Scope of delivery ..... 6  
Installation ..... 7  
General notes on care ..... 10  
Statutory warranty / guarantee ..... 11  
Service ..... 11

## Safety notices

This user manual contains various types of notice.

The notices are designed as follows:



### **Danger**

Potential hazards for your health and the health of your co-riders and other road users if you fail to observe the respective instructions or do not take corresponding precautions.



### **Notice**

Provides information about how to handle the product or refers to a passage in the user manual that deserves special attention.



### **Caution**

Warns you about incorrect behaviour that can result in material and environmental damage.



### **Separate instructions**

Refers you to other assembly instructions for your FS200 Life which describe the respective assembly step in more detail if needed.

## General information

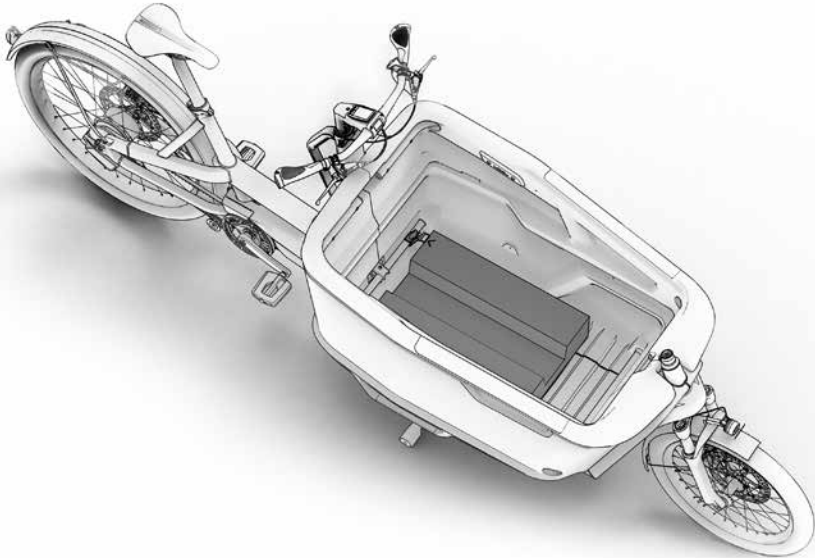


Fig. 1

The FS200 Life provides the option to install child seats that conform to the ISOFIX standard (ISO 13216).

ISO 13216 offers a universal system for installing child seats in passenger cars. In addition to the dimensions of the physical interfaces, the standard describes further requirements and test procedures. These generally refer to the installation on the seat of a passenger car.

Applying this to the installation inside the box of a cargo bike is only partly possible or even useful. We have designed the connection in such a way that the bottom ISOFIX points are used for fastening and the child seat can be placed in the transport box secured to these points.

## Intended use



The installation set is not compatible with the Ergonomic-Child-Seat, the Infant-Sling-Mount or the Original Protective Mat.



When installing ISOFIX-compatible child seats and base stations, the pertaining manufacturer's instructions and provisions must be observed at all times.



The compatibility of the installation set with ISOFIX child seats or base stations has to be tested in each individual case.



Every child and every infant must be transported in a child seat or infant carrier that is suitable for his or her specific height and weight. They must be strapped in at all times. The FS200 Life is designed for the transport of up to two children/infants.



If the installation set is used, only one child can be transported in the transport box.



Transporting infants and children with the box closed is not permitted. When transporting infants and children, the transport box lid must not be installed.



The screw connections should be checked for tight seat at regular intervals and retightened as required.

## Scope of delivery

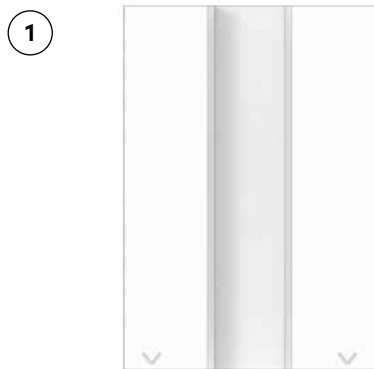


Fig. 2



- ① **EPP block**  
1 piece
- ② **Long plate**  
2 pieces
- ③ **Short plate**  
2 pieces
- ④ **Tommy screw**  
2 pieces



No additional tools are required for the installation.

## Installation

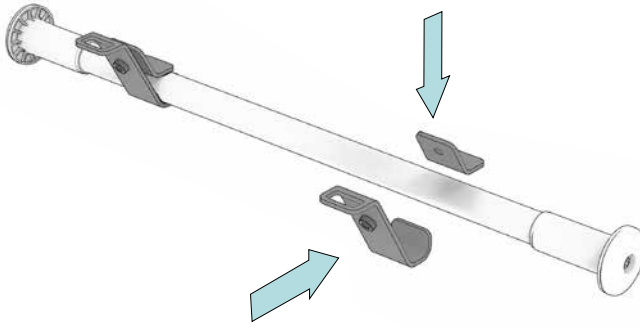


Fig. 3

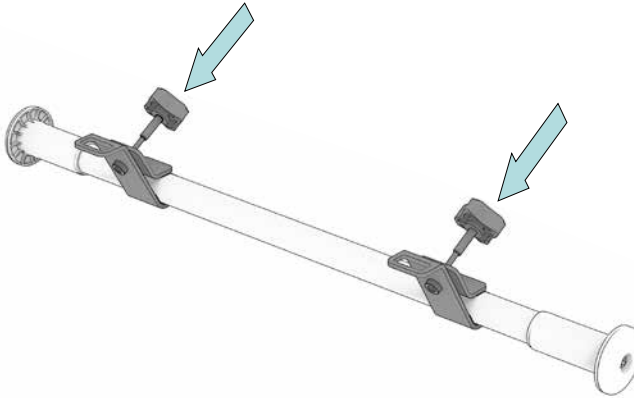
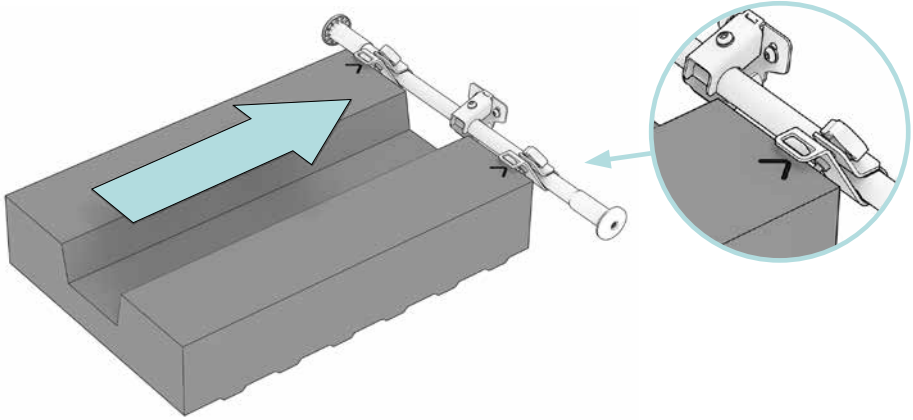


Fig. 4

The connection plates are first mounted to the bottom transport box rail located at the rear in the direction of travel. To do this, place the long plate ② around the rail so that the rectangular notch points to the front and up in the direction of travel.

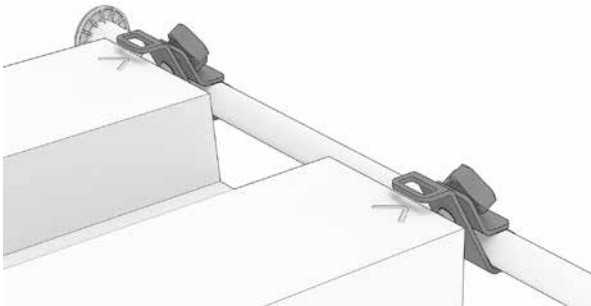
The connection is now clamped to the rail by using the short plate ③ and the tommy screw ④. Tighten the screw connection only very slightly to enable alignment at a later time (Figs. 3 and 4).



**Fig. 5**

Place the EPP block ① in the transport box, with the cut-out section facing up. The profile on the bottom side of the EPP block engages with the profile in the floor of the transport box and thus prevents the block from sliding around.

Align the connection plates so that they can be reached at a distance of 10–15 mm above the EPP block (Fig. 5).



**Fig. 6**

The arrows on the block indicate how to align the connection plates laterally (Fig. 6). Following the correct alignment, tighten the tommy screws hand-tight.



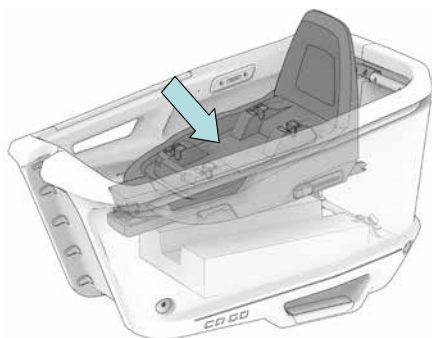


Fig. 7

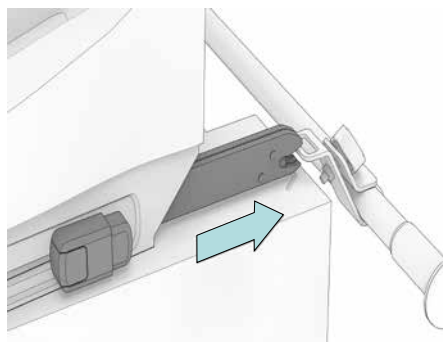


Fig. 8

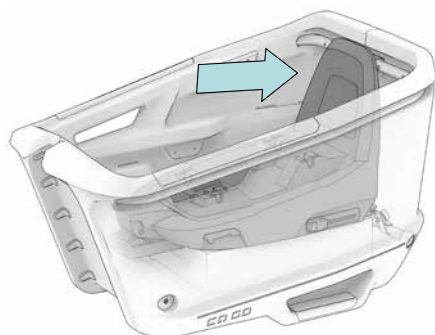


Fig. 9

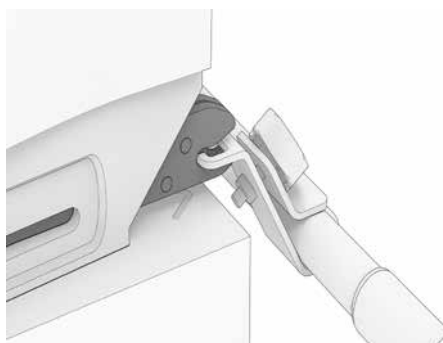


Fig. 10

Hook the child seat and the base plate into the connection plates in accordance with the manufacturer's instructions and push them into the wall of the transport box so that the closure is securely engaged (Figs. 7 to 10).



If a child seat is installed instead of a base station, the procedure is the same. Always observe the manufacturer's instructions.

## General notes on care

The cleaning and care requirements for the EPP block are the same as for the transport box. In many cases, water is all that is needed to do the job. If needed, you can use a mild detergent, such as dishwashing liquid or hand soap.



Never use aggressive cleaning agents, acids or solvents to clean the set. Such substances can corrode or damage surfaces. This may affect the stability of the components.

## Statutory warranty / guarantee

The legal statutory warranty applies. You can find more details on the warranty on our website: [www.cagobike.com/en/warranty](http://www.cagobike.com/en/warranty)

Export to the USA and Canada is not permitted (product liability)!

---

## Service

If you have questions concerning this user manual, please contact your Ca Go dealer or your Ca Go service team.



**Published by:**

**Ca Go Bike GmbH**

Am Autobahnkreuz 7

56072 Koblenz

Germany

+49 261 914090-600

info@cagobike.com

www.cagobike.com

Managing directors: Franc Arnold

Company register

Court of record: District Court Koblenz / register no.: HRB 26998 / VAT Id no. DE326206636

Responsible for distribution and marketing of the user manual: Ingo Kahnt

Ca Go Bike GmbH reserves the right to change product specifications without prior notice.

Typographical errors, mistakes and modifications reserved. Version of 03/2023

©Reproduction, reprint and translation, as well as any use for economic purposes (including as extracts, in print or electronic form) without prior written approval is forbidden.