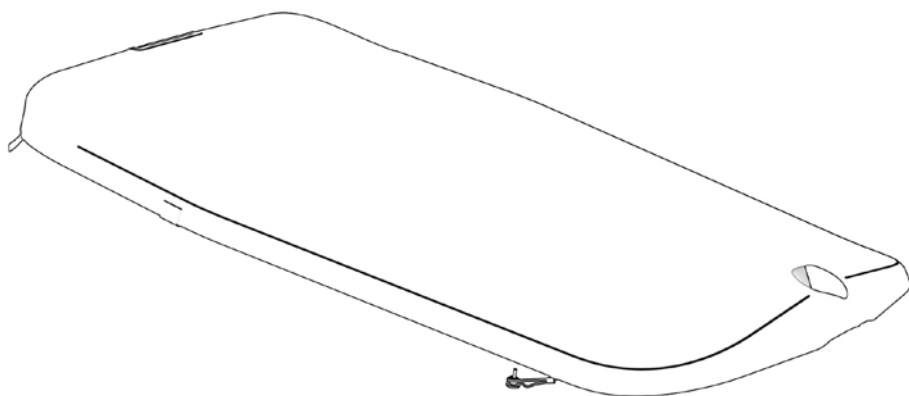


Life-Soft-Top Assembly instructions



Contents

Safety notices 3
General information 4
Intended use 5
Scope of delivery 6
Assembly 7
General notes on care 14
Statutory warranty / guarantee 15

The present assembly instructions is the translation of the original assembly instructions.

Safety notices

These assembly instructions contain various types of notice.
The notices are designed as follows:



Danger

Potential hazards for your health and the health of your co-riders and other road users if you fail to observe the respective instructions or do not take corresponding precautions.



Notice

Provides information about how to handle the product or refers to a passage in the assembly instructions that deserves special attention.



Caution

Warns you about incorrect behaviour that can result in material and environmental damage.



Separate instructions

Refers you to other assembly instructions for your FS200 Life which describe the respective assembly step in more detail if needed.

General information

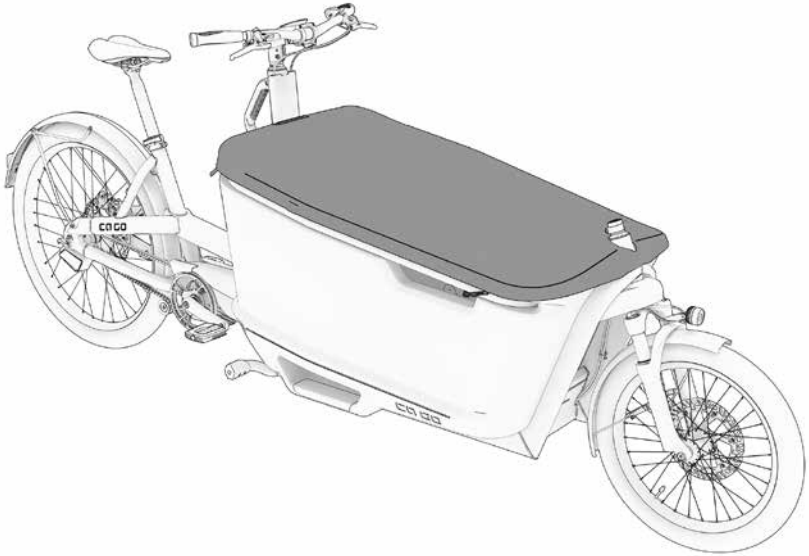


Fig. 1

The Life-Soft-Top is a simple cover for the cargo box to protect the transported goods from weather, dirt and views. It is attached to the box in just a few simple steps.

The Life-Soft-Top can be fully or partially opened for loading. The tension in the hem can be adjusted via the elastic bands. The bicycle can be ridden with the Life-Soft-Top open or closed.



The Life-Soft-Top is not compatible with the Lockable Cargo Box Lid, the Ortho-Safety-Collar and the All-Weather-Top.

Intended use



DANGER OF SUFFOCATION! Do not leave children unattended with the Life-Soft-Top! Children can accidentally become entangled and tangled. This is not a children's toy.



Children must not be transported in the Life-Soft-Top closed box, **DANGER OF SUFFOCATION!** This also applies to animals.



Only ride with the Life-Soft-Top fully closed or rolled forward and secured with the Velcro strap.

When the Life-Soft-Top is open and unsecured, gusts of wind can reach into the fabric and lead to obstructed vision, an unstable riding situation or entanglement in the front wheel.

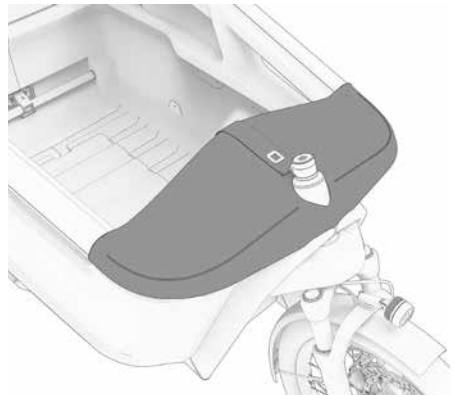


Fig. 2

Scope of delivery

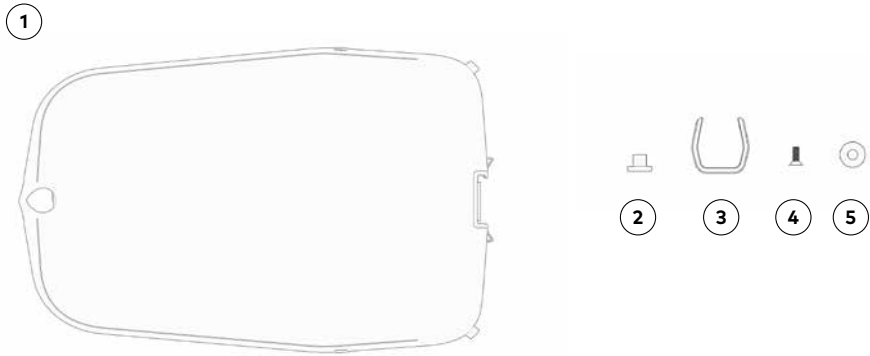


Fig. 3

- ① Life-Soft-Top
- ② Tarpaulin knob, 2x
- ③ Double hook
- ④ M5x18 countersunk head screw, 3x
- ⑤ Washer for countersunk head screw, 1x

Assembly

Screwing in the tarpaulin knobs on Rail L and R

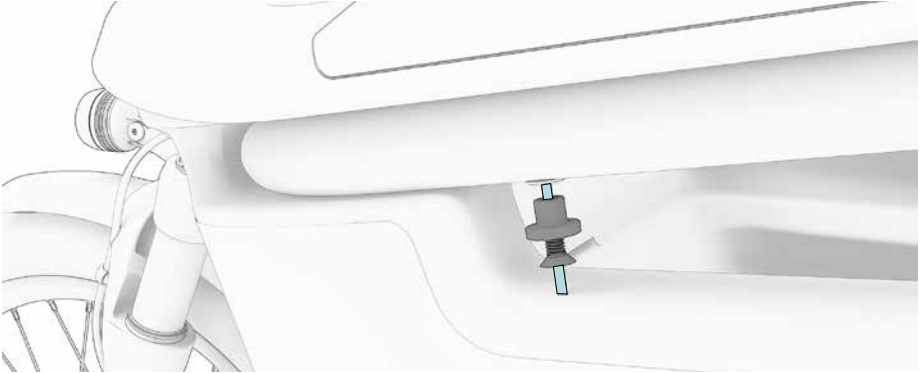


Fig. 4

Place the tarpaulin knobs on two of the M5x18 countersunk head screws. These are then screwed into the underside of each rail (side opening of the cargo box), tightening torque 4-5 Nm (Fig. 4).

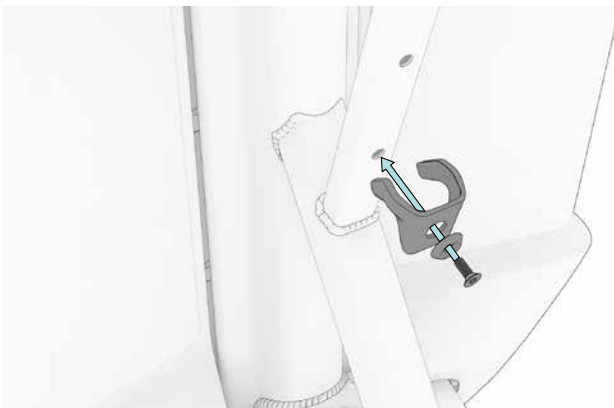


Fig. 5

The hook is attached to the handle of the steering column in the bottom hole with the third M5x18 countersunk head screw. Tightening torque here 2 Nm (Fig. 5).

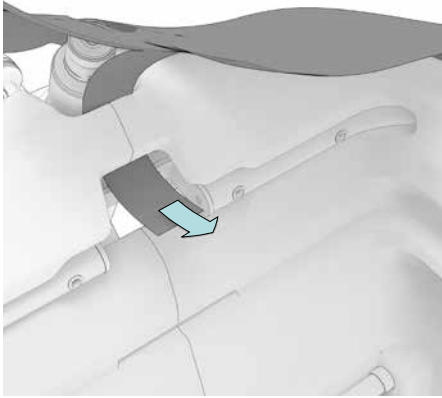


Fig. 6a

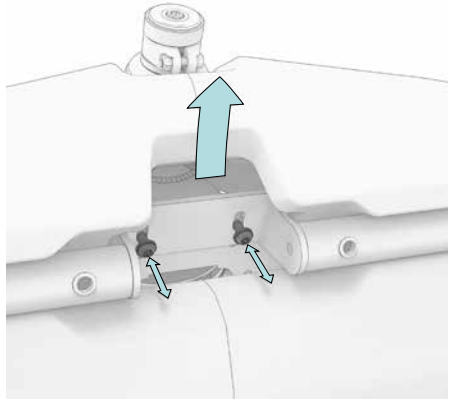


Fig. 6b

In the front area of the box, the Velcro tape is routed between the frame and the box (Fig. 6a). For this it may be necessary to loosen the screws of the box fastening (tool: Allen key 5 mm) and lift the box slightly (Fig. 6b). Then position the box and tighten the screws with 5-8 Nm.

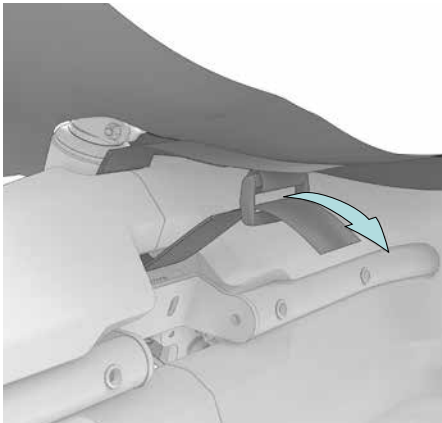
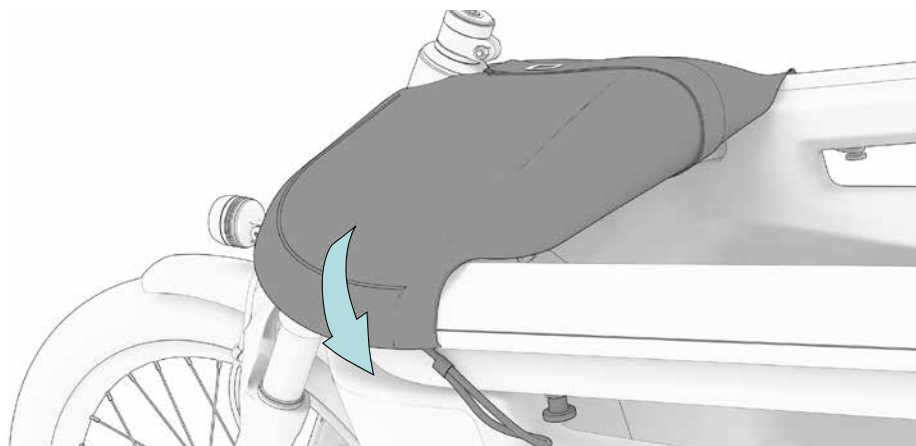
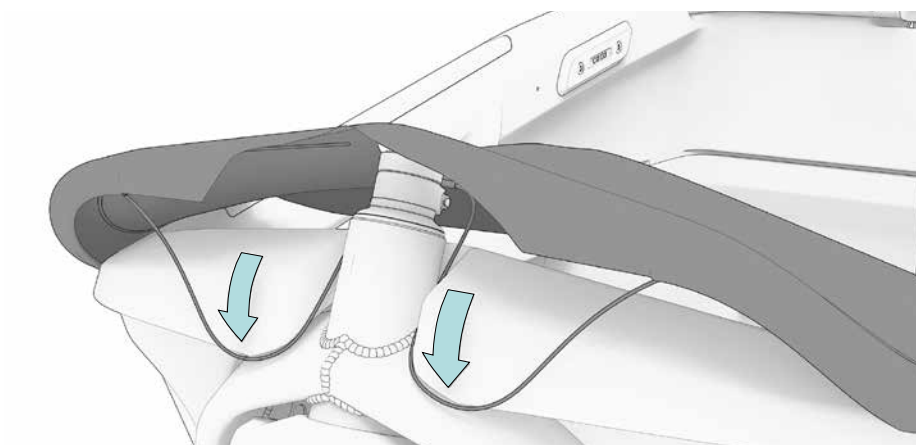


Fig. 7

The Life-Soft-Top is placed at the front end of the box with the recess against the headset. The Velcro is threaded through the loop (Fig. 7) and attached to the Velcro strip. Once the soft top has been attached, it is possible to tighten or loosen the tension by readjusting the Velcro. The Velcro strip also serves to secure the Soft-Top when it is rolled forwards and open.

**Fig. 8****Fig. 9**

After securing the Life-Soft-Top with the Velcro, hook the two elastic straps into the tarpaulin knobs on the sides (Fig. 08) and run another elastic rope around the two bottom edges of the box (right and left) in the front area of the box (Fig. 09).



Fig. 10

The Life-Soft-Top is then unrolled backwards along the edge of the box. The ends of the rubber cord are passed to the left and right of the steering column and attached to the double hook on the handle (Fig. 10).

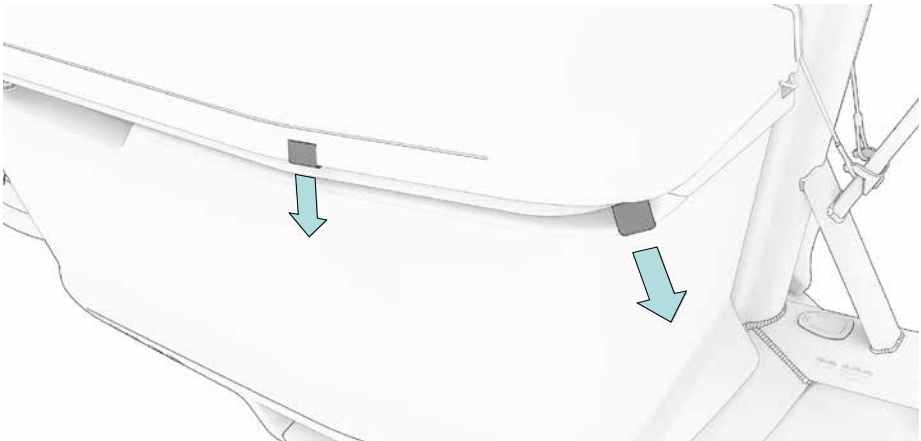


Fig. 11

With the pull-tabs, the Life-Soft-Top is aligned centrally in the rear area and the hem is pulled over the edge of the box. Now the box is closed (Fig. 11).

Adjusting the tension

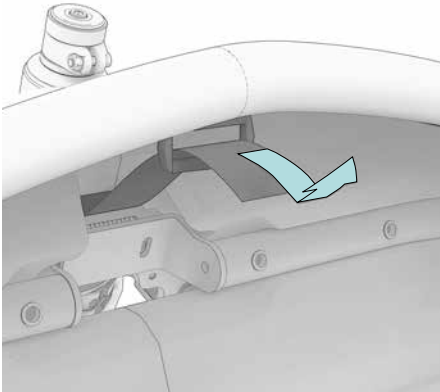


Fig. 12



Fig. 13

The tension of the Soft-Top (front and back) can be adjusted to avoid water puddles on the Life-Soft-Top. Life-Soft-Top: Loosen the Velcro strap on the inside of the front and fasten it tighter or looser as required.

Fit around the edge of the box: The Life-Soft-Top holds onto the lip of the edge of the box at the front and back. This is achieved with a circumferential rubber cord. The tension can be adjusted at the back of the Soft-Top on the cord lock. Excess rubber cord can be tucked into the tunnel. Once the tension is set, the Life-Soft-Top can be opened/closed and dismantled without the need for adjustment. Over time, the rubber cord may stretch, whereupon the tension can and should be readjusted.

Opening and use

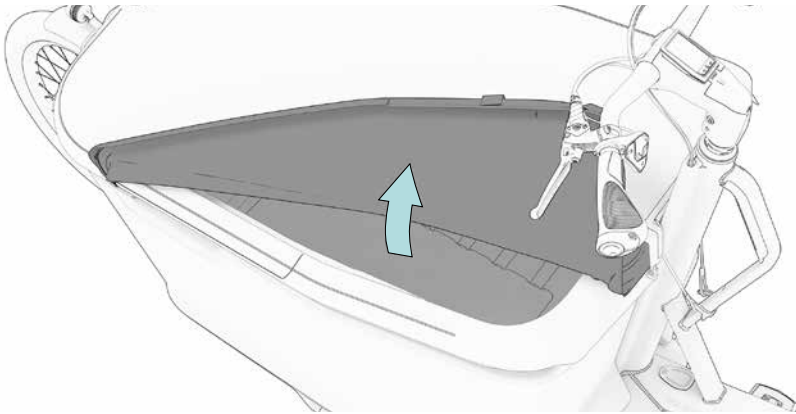


Fig. 14

The Life-Soft-Top can be opened for a quick access at the rear side (Fig. 14).

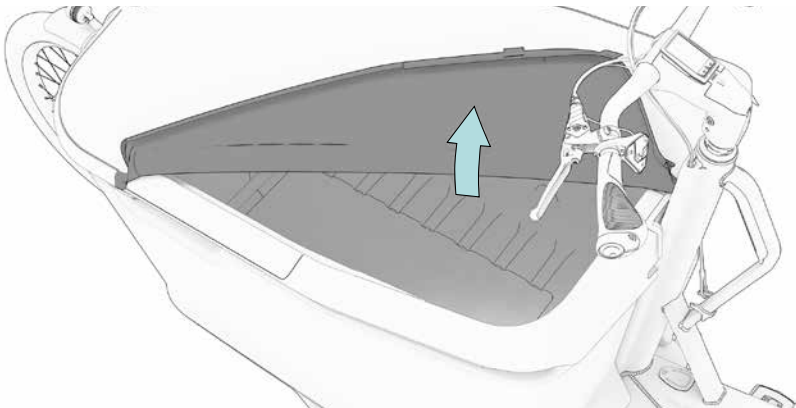
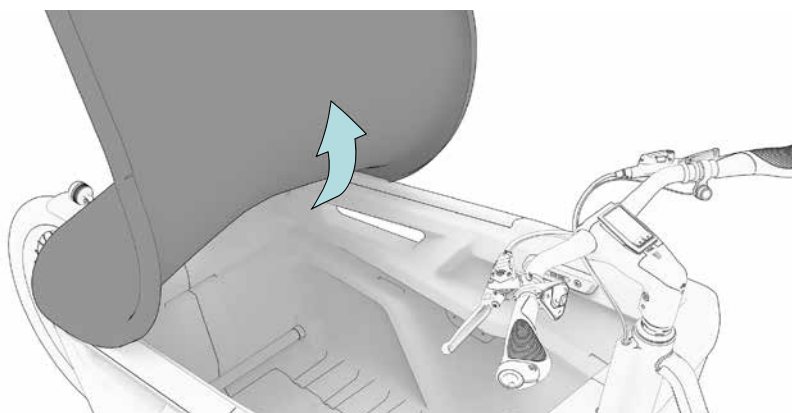
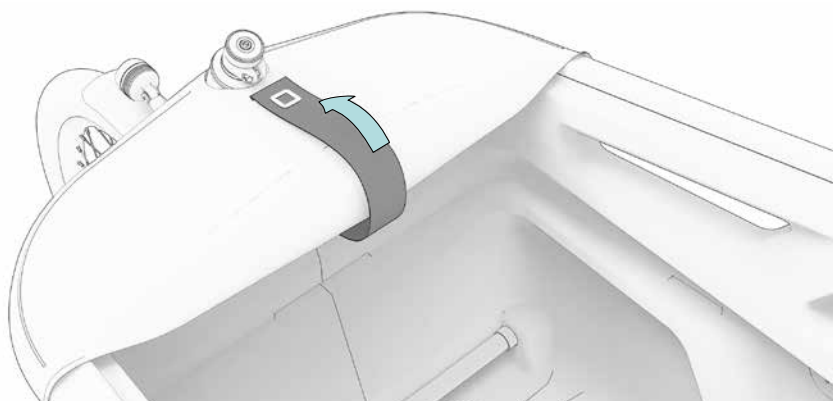


Fig. 15

The Life-Soft-Top can be opened halfway at the back. Before doing so, the rubber cord must be detached from the counterhold (Fig. 15).

**Fig. 16**

Open fully: Both rubber cords must be released from the counterholder. Then the Life-Soft-Top can be opened completely. The front part remains in place (Fig. 16).

**Fig. 17**

The Life-Soft-Top can be rolled up and fixed at the front. Roll it inwards and fasten it with the Velcro strap from below. In this way the Life-Soft-Top can also be used safely in the open position when driving (incl. child seats etc.) (Fig. 17).

General notes on care



For cleaning, water can be used in combination with a little hand dish-washing liquid or with a mild soap, for example.

Statutory warranty / guarantee

The legal statutory warranty applies.

You can find more details on the guarantee on our website:

www.cagobike.com

Export to the USA and Canada is not permitted (product liability)!

Service

If you have questions concerning this assembly instructions, please contact your Ca Go dealer or your Ca Go service team.



Published by:

Ca Go Bike GmbH

Am Autobahnkreuz 7

56072 Koblenz

Germany

+49 261 914090-600

info@cagobike.com

www.cagobike.com

Managing directors: Franc Arnold

Company register

Court of record: District Court Koblenz / register no.: HRB 26998 / VAT Id no. DE326206636

Responsible for distribution and marketing of the assembly instructions: Ingo Kahnt

Ca Go Bike GmbH reserves the right to change product specifications without prior notice.

Typographical errors, mistakes and modifications reserved. Version03/2023

©Reproduction, reprint and translation, as well as any use for economic purposes (including as extracts, in print or electronic form) without prior written approval is forbidden.