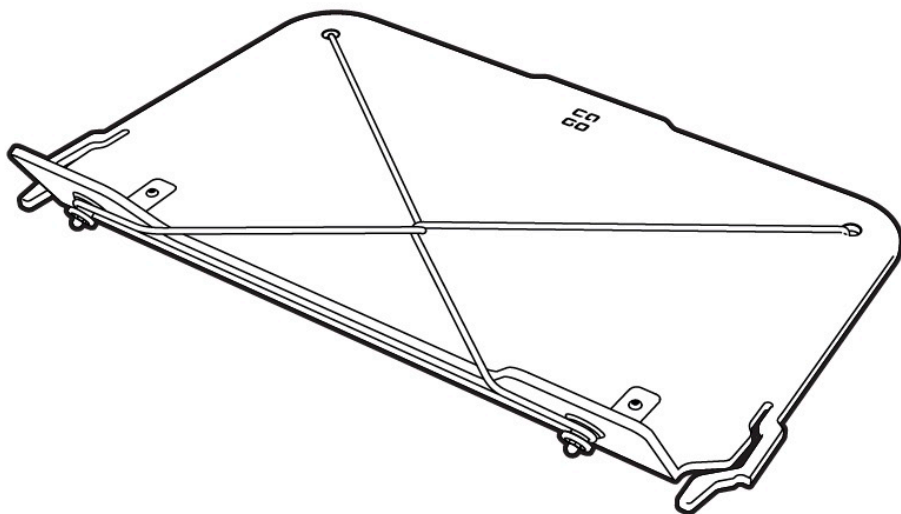


# Tablet Assembly Instructions



# **Contents**

Safety notices ..... 3  
General information ..... 4  
Intended use ..... 5  
Scope of delivery ..... 6  
Assembly ..... 7  
General notes on care ..... 9  
Statutory warranty / guarantee ..... 10  
Service ..... 10

The present assembly instructions is the translation of the original assembly instructions.

## Safety notices

These assembly instructions contain various types of notice.  
The notices are designed as follows:



### **Danger**

Potential hazards for your health and the health of your co-riders and other road users if you fail to observe the respective instructions or do not take corresponding precautions.



### **Notice**

Provides information about how to handle the product or refers to a passage in the assembly instructions that deserves special attention.



### **Caution**

Warns you about incorrect behaviour that can result in material and environmental damage.



### **Separate instructions**

Refers you to other assembly instructions for your FS200 Life which describe the respective assembly step in more detail if needed.

## General information



Fig. 1

The tray organizes the storage space in the EPP cargo box and provides a shelf in front of the children transported on Ca Go Child-Seats. The tray is designed to be hooked into the EPP cargo box and can be loaded with a maximum of 5 kg.

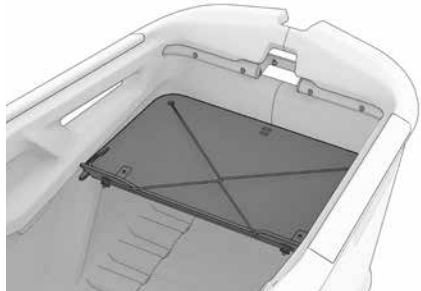


Fig. 2

## Intended use



If children are transported in the box, it is essential to ensure that the goods being carried are securely lashed to the back of the tablet to prevent them from falling down.



The tablet may be loaded with a maximum of 5 kg.



Check the tablet regularly for damage. Inspect the expander rope just as regularly for possible cracks.



Before each ride, make sure that the tablet is properly positioned and cannot slip out of place.

## Scope of delivery

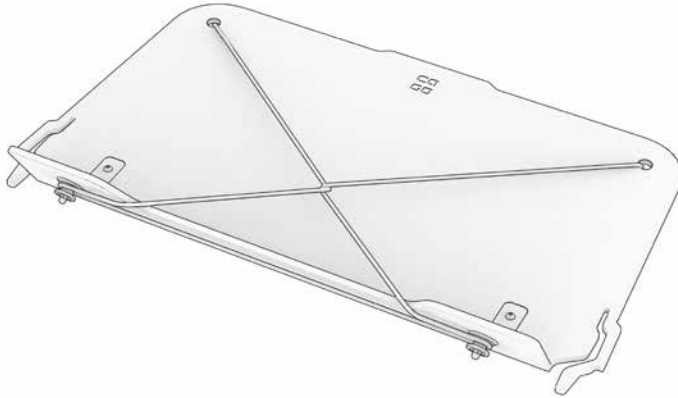


Fig. 3

The tablet consists of several individual parts. It is delivered pre-assembled (Fig. 3).



No additional tools are required for assembly.

## Assembly

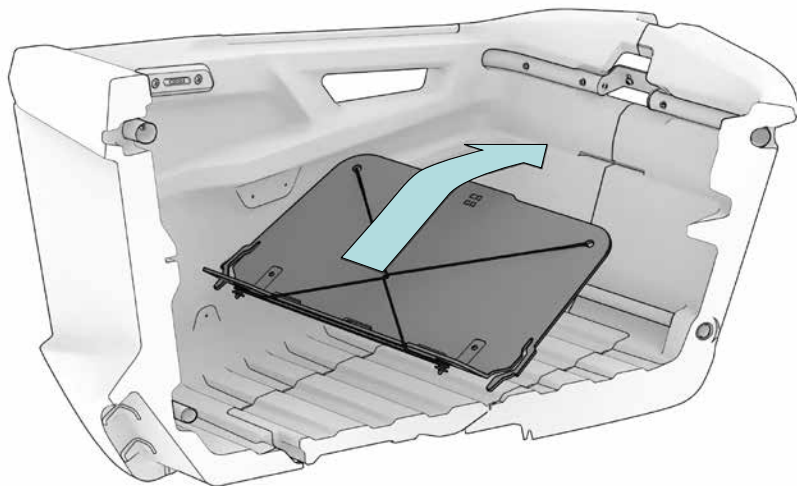


Fig. 4

Slide the tablet gently into the recess of the cargo box (Fig. 4).

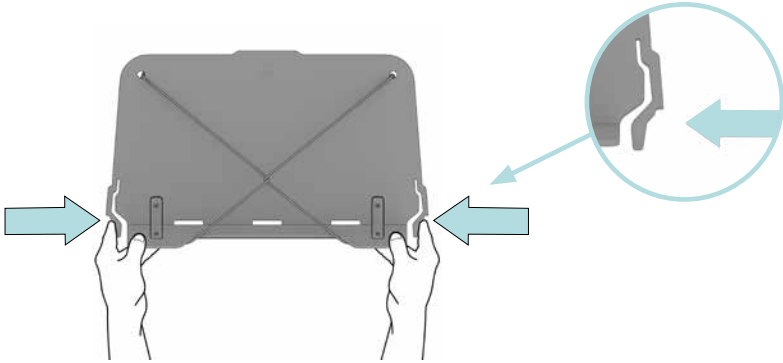


Fig. 5

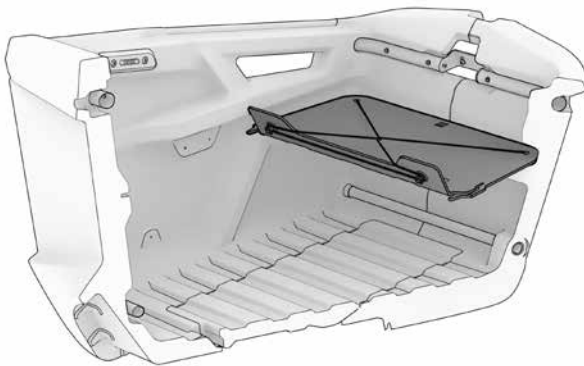


Fig. 6

Press the side hooks of the tablet and push them in completely until the hooks snap into the side indentations in the box (Fig. 5 und 6).

Check that the tablet rests correctly on the shoulders of the box and is placed in the indentations provided.

To remove the tablet, press the hooks together once again and pull the tablet horizontally backwards (towards the handlebar).



## General notes of care

The components of the mounting set should only be cleaned with water and mild detergents such as soap.



Do not use aggressive cleaning agents, acids or solvents for cleaning. This may damage the surfaces or the belts. The stability of the components may then no longer be given.

## Statutory warranty / guarantee

The legal statutory warranty applies.

You can find more details on the guarantee on our website:

**[www.cagobike.com](http://www.cagobike.com)**

Export to the USA and Canada is not permitted (product liability)!

---

## Service

If you have questions concerning this assembly instructions, please contact your Ca Go dealer or your Ca Go service team.





**Published by:**

**Ca Go Bike GmbH**

Am Autobahnkreuz 7

56072 Koblenz

Germany

+49 261 914090-600

info@cagobike.com

www.cagobike.com

Managing directors: Franc Arnold

Company register

Court of record: District Court Koblenz / register no.: HRB 26998 / VAT Id no. DE326206636

Responsible for distribution and marketing of the assembly instructions: Ingo Kahnt

Ca Go Bike GmbH reserves the right to change product specifications without prior notice. Typographical errors, mistakes and modifications reserved. Version: 03/2023

©Reproduction, reprint and translation, as well as any use for economic purposes (including as extracts, in print or electronic form) without prior written approval is forbidden.