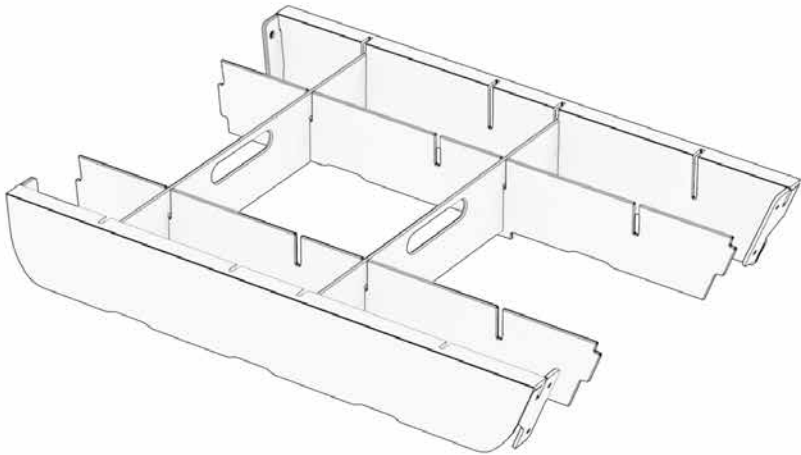


# Organizer-Set

## Assembly instructions



# **Inhalt**

Safety notices .....	03
General information .....	04
Intended use .....	05
Scope of delivery .....	07
Assembly .....	08
General notes on care .....	10
Statutory warranty / guarantee .....	11

The present assembly instruction is the translation of the original assembly instructions.

## Safety notices

This user manual contains various types of notice.  
The notices are designed as follows:



### **Danger**

Potential hazards for your health and the health of your co-riders and other road users if you fail to observe the respective instructions or do not take corresponding precautions.



### **Notice**

Provides information about how to handle the product or refers to a passage in the user manual that deserves special attention.



### **Caution**

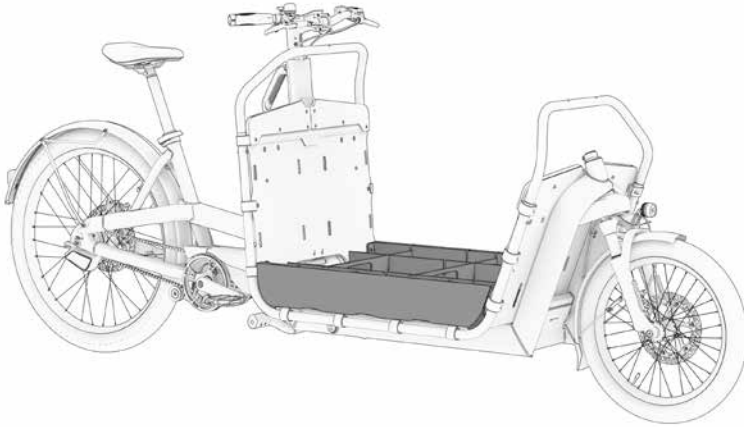
Warns you about incorrect behaviour that can result in material and environmental damage.



### **Separate instructions**

Refers you to other assembly instructions for your FS200 Vario which describe the respective assembly step in more detail if needed.

## General information



**Fig. 1**

The FS200 Vario can be fitted with the Organizer-Set, which is used to create smaller compartments and increase storage space. The two side walls form a guide rail which is adapted to the (standard) dimensions of Euroboxes. Euroboxes can thus be fixed in place and transported without slipping. (Fig. 1).

## Intended use



The FS200 Vario cargo area is not suitable for transporting passengers in any version.



When loading, it is important to ensure that the cargo does not interfere with the steering, i.e. that the full swivel angle of the handlebars remains free at all times and that no part of the cargo interferes with the movement of the wheels. The Cross-Bars limit the load space that can be used safely.



Before each trip, check that all parts of the Organizer-Set are securely in place.



Always ensure that the load is properly secured when transporting objects. The maximum load on the cargo bed is 70 kg. The driving characteristics of the FS200 will change depending on the load. Please ensure that the load is evenly distributed. Inadequately secured loads can develop their own momentum, which can lead to unmanageable driving situations. The transport of liquids can also be critical if they can move freely (e.g. open tubs, half-full canisters).



The tension on each strap must not exceed 150 N (approx. 15 kg). Exceeding this tension may cause damage (= plastic deformation) to the aluminum frame. If the load is attached only to the lightweight panel (Fig. 6), the maximum tensile stress is 100 N (approx. 10 kg).

**Commercially available ratchet straps** can exert much higher tensile forces due to the lever action and **should not be used.**

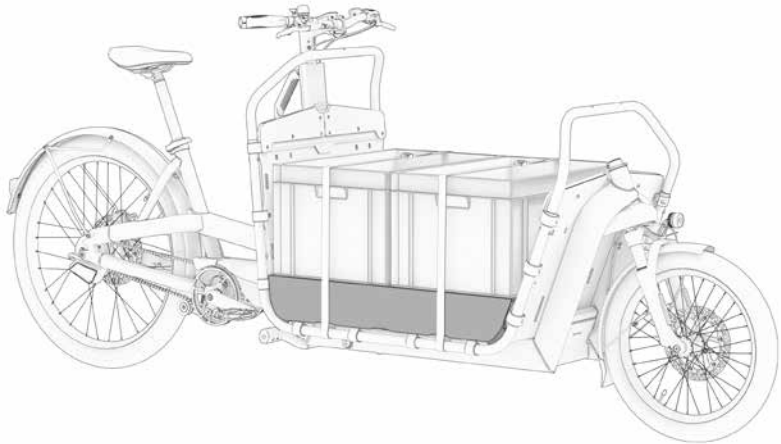


Fig. 2

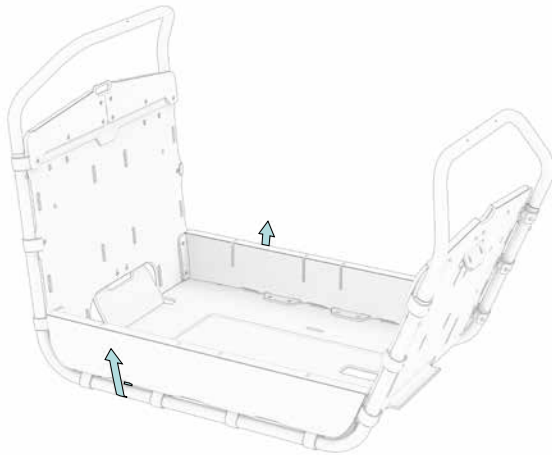


Fig. 3

The side walls provide a contact surface for the Euroboxes (Fig. 2), which are held and guided laterally. However, additional securing (Fig. 3) is necessary as the Euroboxes could slip forward or jump out of position in the event of a bump. It is also possible to transport Euroboxes without the side walls, but the use of space is not as effective. In this case, the boxes must also be secured against sliding sideways.

## Scope of delivery

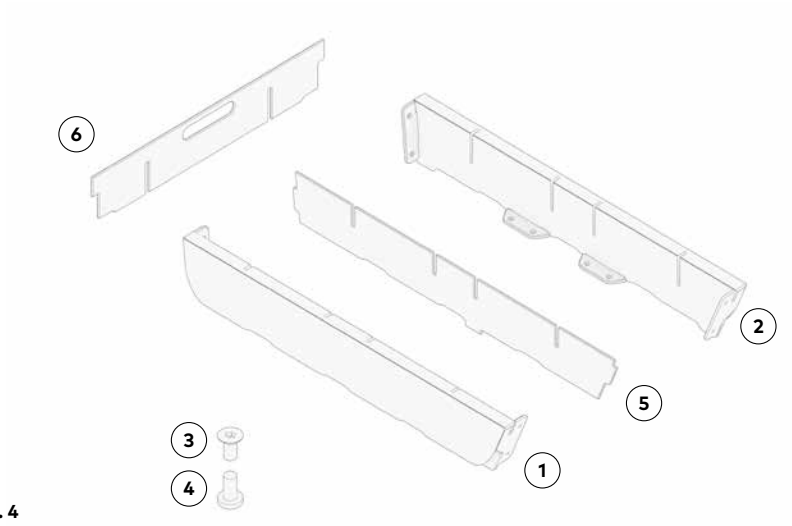


Fig. 4

### Organizer-Set:

- |                               |                          |
|-------------------------------|--------------------------|
| ① Side wall left              | ④ M5x8 Sleeve nut, 16x   |
| ② Side wall right             | ⑤ Lengthwise divider, 2x |
| ③ M5x5 Countersunk screw, 16x | ⑥ Cross divider, 2x      |

## Assembly

For assembly, a distinction is made between the left and right side panels. They are marked ,L' and ,R' on the inside. The side panel must be fitted so that the letter is at the front in the direction of travel. The lightweight panel is folded along the milling (Fig. 5). The side wall is double layered to provide the necessary stability.

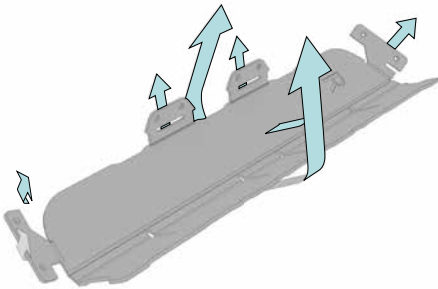


Fig. 5

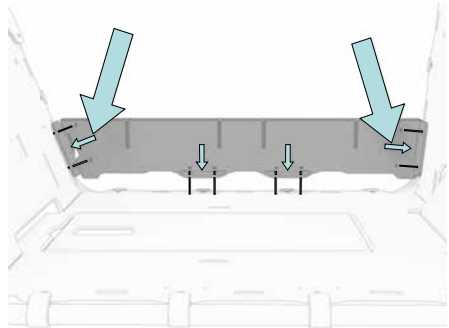


Fig. 6

Each side panel is fixed using eight (8) M5 screws and M5 sleeve nuts through the holes in the plastic plates. First at the front and back, then at the holes provided in the base plate (Fig. 6). The screws are screwed on from the rear using the sleeve nuts supplied and tightened to 4–5 Nm (Fig. 4, pos. 3 and pos. 4). Finally, check that the side panels are tight and secure.



To remove the battery and open the battery compartment, the cross dividers must be removed.



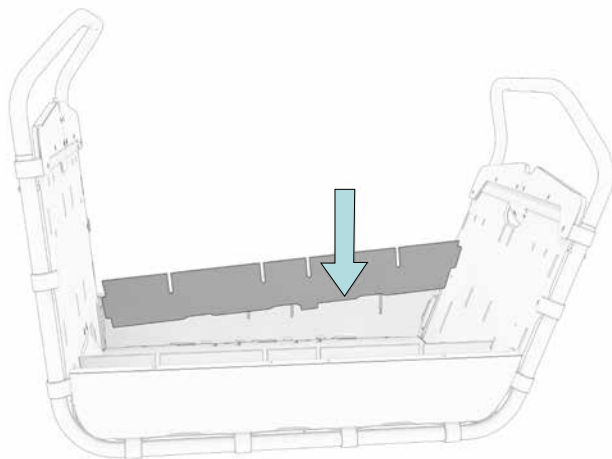


Fig. 7

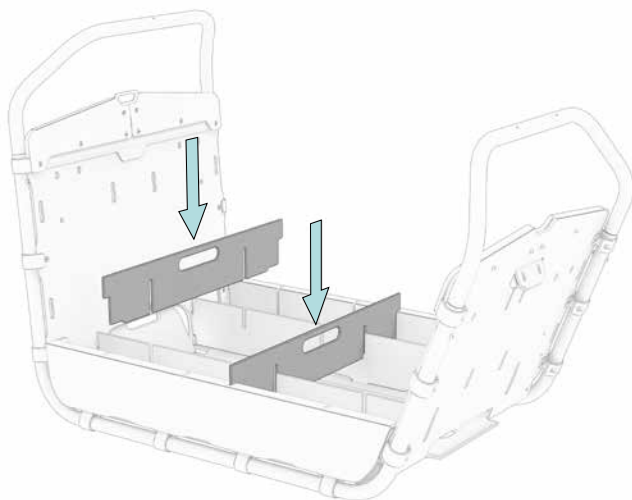


Fig. 8

The next step is to insert the length and cross dividers. (Fig. 7 and 8).

## General notes on care

Water is often sufficient to clean the FS200 Vario Organizer-Set. If necessary, a mild detergent such as washing-up liquid or soap can be used.

The Vario platform consists of a tubular aluminium frame and lightweight plastic panels, some of which are reinforced with aluminium sheets. All materials are recyclable.

## Statutory warranty / guarantee

The legal statutory warranty applies.

You can find more details on the guarantee on our website:

**[www.cagobike.com](http://www.cagobike.com)**

Export to the USA and Canada is not permitted (product liability)!

---

## Service

If you have questions concerning this user manual, please contact your Ca Go dealer or your Ca Go service team.



**Published by:**

**Ca Go Bike GmbH**

Am Autobahnkreuz 7

56072 Koblenz

Germany

+49 261 914090-600

info@cagobike.com

www.cagobike.com

Managing directors: Franc Arnold

Company register

Court of record: District Court Koblenz / register no.: HRB 26998 / VAT Id no. DE326206636

Responsible for distribution and marketing of the user manual: Ingo Kahnt

Ca Go Bike GmbH reserves the right to change product specifications without prior notice.

Typographical errors, mistakes and modifications reserved. Version: 03/2023

©Reproduction, reprint and translation, as well as any use for economic purposes (including as extracts, in print or electronic form) without prior written approval is forbidden.