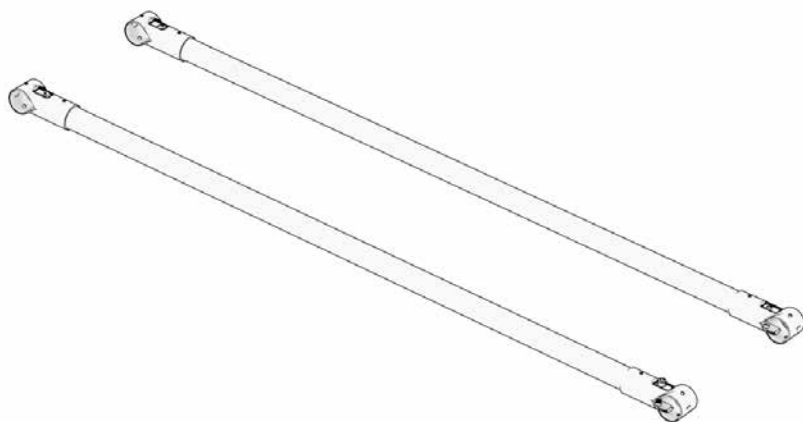


Top-Rails

Assembly instructions



Content

Safety notices	03
General information	04
Scope of delivery	04
Intended use	05
Assembly	06
General notes on care	07
Statutory warranty / guarantee	07

The present assembly instruction is the translation of the original assembly instructions.

Safety notices

This user manual contains various types of notice.
The notices are designed as follows:



Danger

Potential hazards for your health and the health of your co-riders and other road users if you fail to observe the respective instructions or do not take corresponding precautions.



Notice

Provides information about how to handle the product or refers to a passage in the user manual that deserves special attention.



Caution

Warns you about incorrect behaviour that can result in material and environmental damage.



Separate instructions

Refers you to other assembly instructions for your FS200 Vario which describe the respective assembly step in more detail if needed.

General information

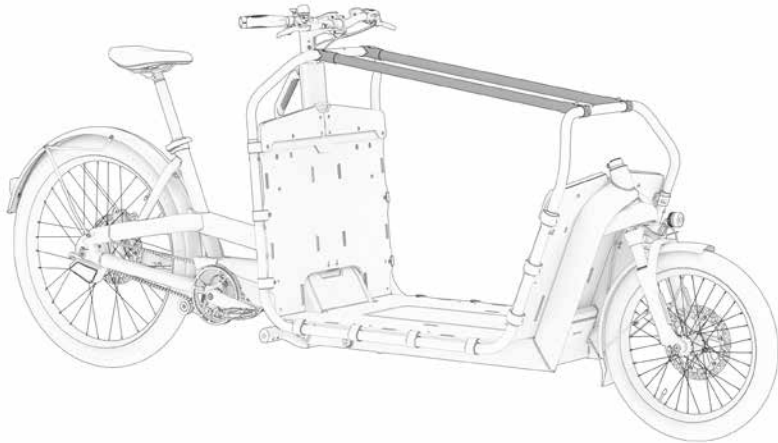


Fig. 1

The FS200 Vario can be fitted with Top-Rails to provide an additional level of security and reinforcement to the frame. The Top-Rails allow goods and loads (even oversized ones) to be securely fastened and transported.

Scope of delivery

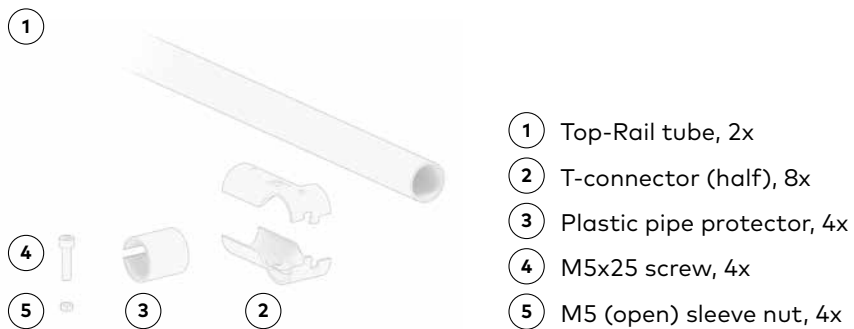


Fig. 2

Intended use



The FS200 Vario cargo area is not suitable for transporting passengers in any version.



When loading, it is important to ensure that the cargo does not interfere with the steering, i.e. that the full swivel angle of the handlebars remains free at all times and that no part of the cargo interferes with the movement of the wheels. The Cross-Bars limit the load space that can be used safely.



Always ensure that the load is properly secured when transporting objects. The driving characteristics of the FS200 will change depending on the load. Please ensure that the load is evenly distributed. Inadequately secured loads can develop their own momentum, which can lead to unmanageable driving situations. The transport of liquids can also be critical if they can move freely (e.g. open tubs, half-full canisters).



The tension on each strap must not exceed 150 N (approx. 15 kg). Exceeding this tension may cause damage (= plastic deformation) to the aluminium frame. If the load is attached only to the lightweight panel (Fig. 6), the maximum tensile stress is 100 N (approx. 10 kg). **Commercially available ratchet straps can exert much higher tensile forces due to the lever action and should not be used.**



Even with oversized loads attached to the Top-Rails, always ensure that the view remains unobstructed.

Assembly

The Top-Rails can be mounted in any position within the horizontal area of the Cross-Bars. Ca Go recommends a central placement of two Top-Rails 220 mm apart, i.e. each 110 mm from the imaginary centre line of the vehicle. Alternatively, only one Top-Rail can be fitted centrally.

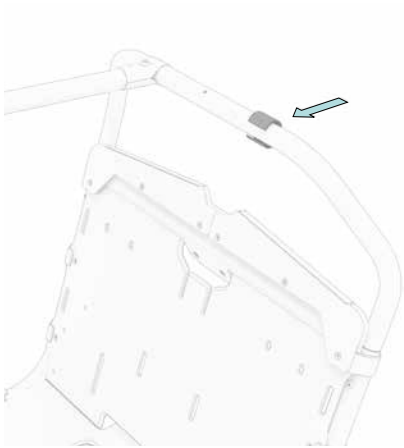


Fig. 3

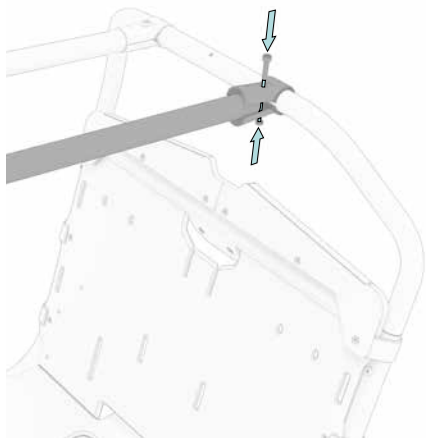


Fig. 4

First place the T-connector around the Cross-Bars, making sure that the plastic protector (Fig. 3) is correctly positioned between the sheet metal halves of the T-connector and the pipe. Loosely tighten one of the M5x25 screws (fig. 2, item 4) first.

The Top-Rail can then be pushed into the T-connector (Fig. 4). Tighten the screw to 5–6 Nm.

General notes on care

Water is often sufficient to clean the FS200 Vario Organizer-Set. If necessary, a mild detergent such as washing-up liquid or soap can be used.

Statutory warranty / guarantee

The legal statutory warranty applies.

You can find more details on the guarantee on our website:

www.cagobike.com

Export to the USA and Canada is not permitted (product liability)!

Service

If you have questions concerning this user manual, please contact your Ca Go dealer or your Ca Go service team.



Published by:

Ca Go Bike GmbH

Am Autobahnkreuz 7

56072 Koblenz

Germany

+49 261 914090-600

info@cagobike.com

www.cagobike.com

Managing directors: Franc Arnold

Company register

Court of record: District Court Koblenz / register no.: HRB 26998 / VAT Id no. DE326206636

Responsible for distribution and marketing of the user manual: Ingo Kahnt

Ca Go Bike GmbH reserves the right to change product specifications without prior notice.

Typographical errors, mistakes and modifications reserved. Version: 03/2023

©Reproduction, reprint and translation, as well as any use for economic purposes (including as extracts, in print or electronic form) without prior written approval is forbidden.